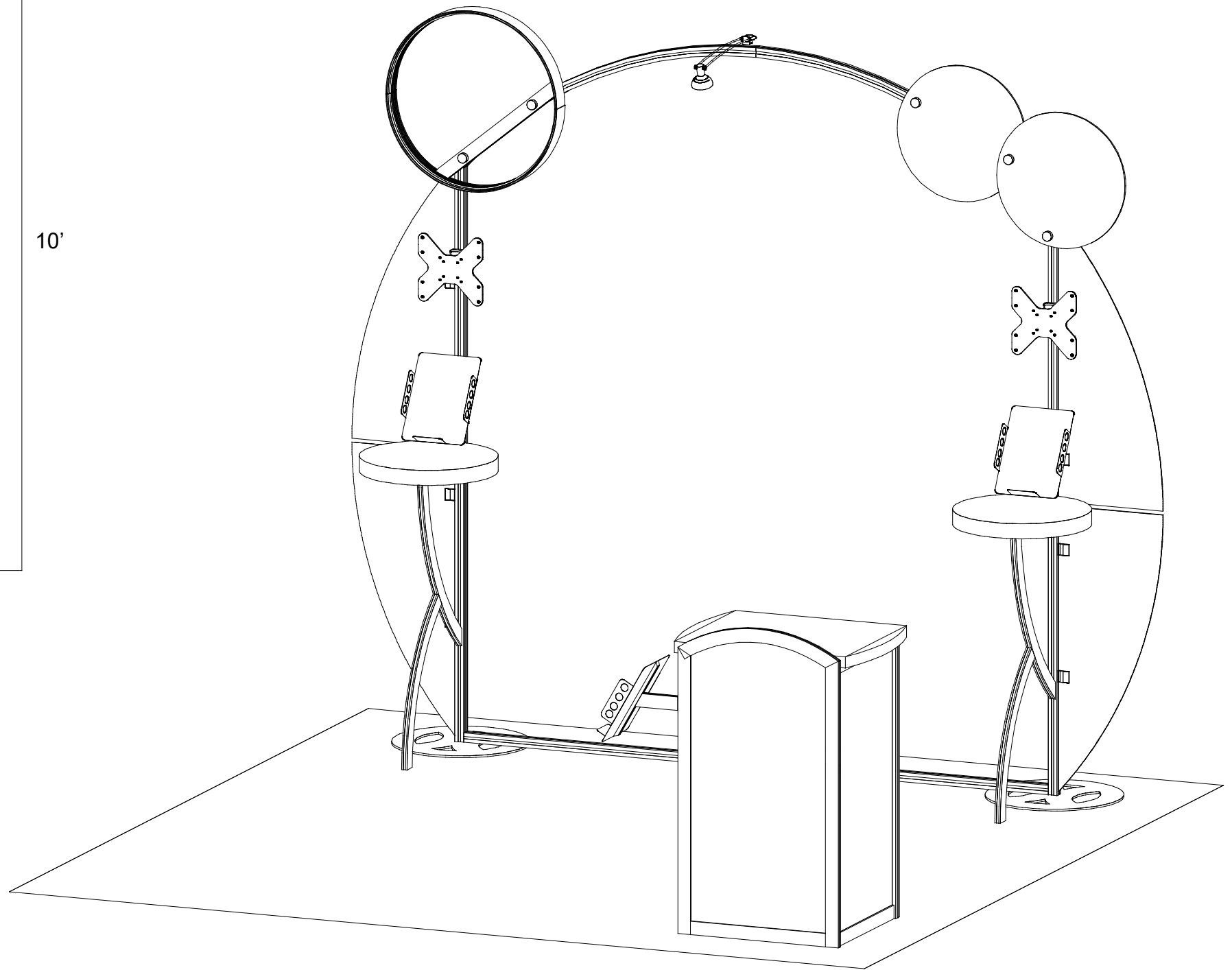
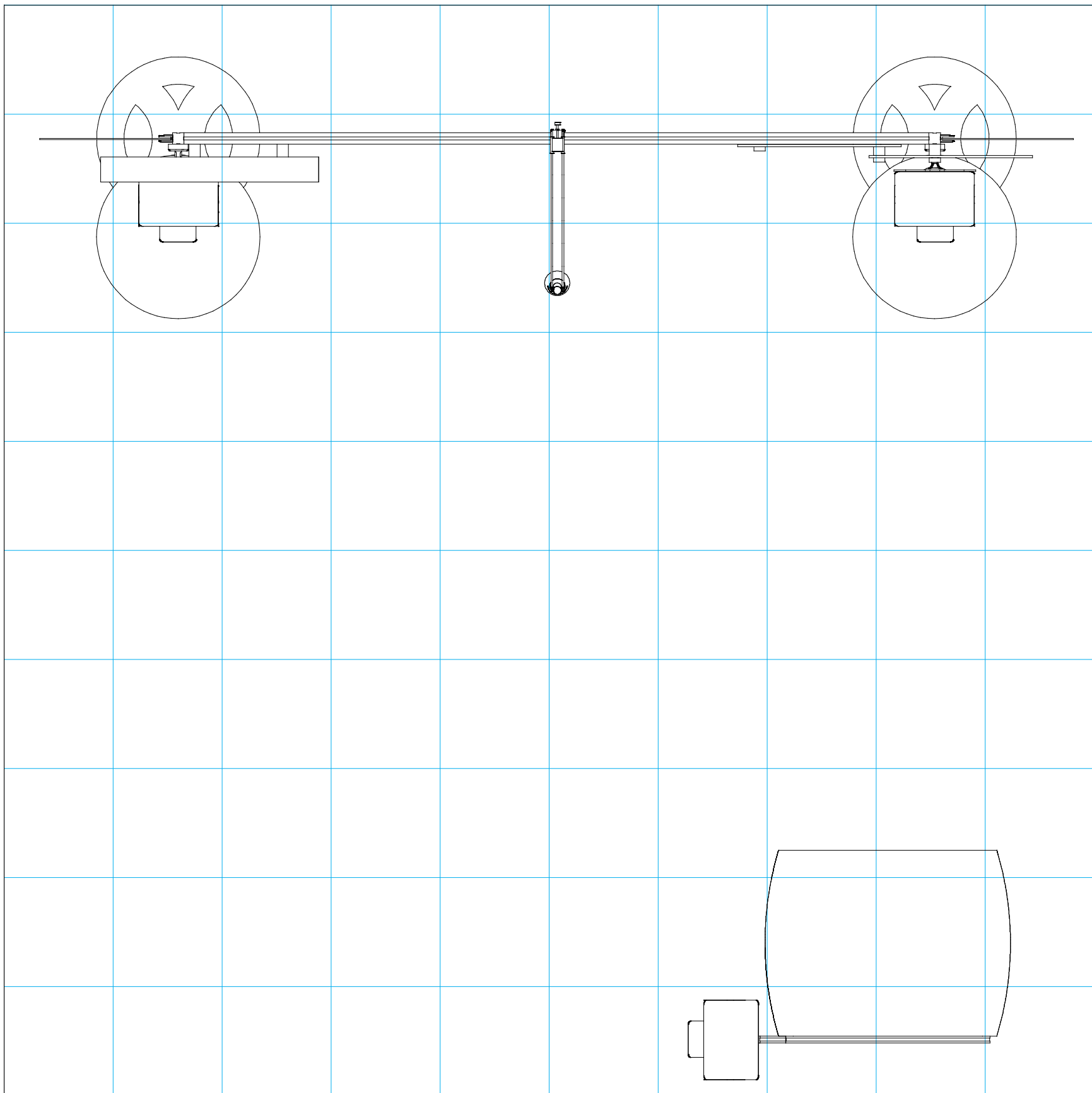


Top View



# SETUP INSTRUCTIONS



= 1 sq foot

## General Setup Instructions

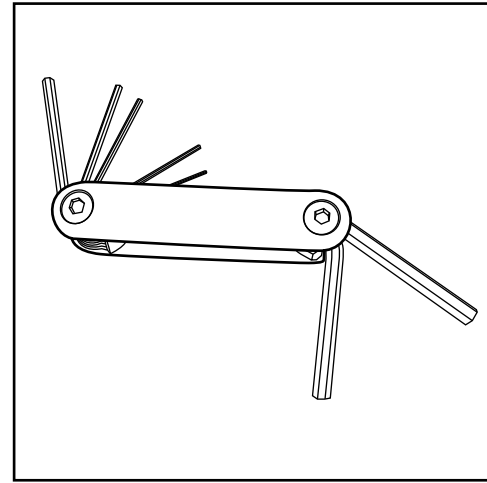
- Read entire setup instruction manual prior to unpacking parts and pieces.
- The setup instructions are created specifically for this configuration.
- Setup instructions are laid out sequentially in steps, including exploded views with detailed explanation for assembly.

## Cleaning & Packing

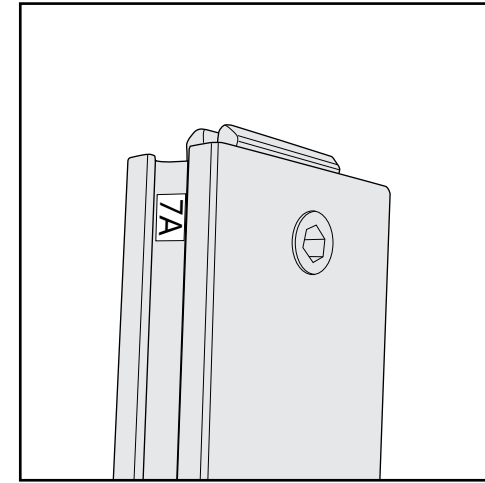
- For Cleaning Metal, Plex, & Laminate Parts: Use a **MILD NON-ABRASIVE** cleanser and soft cloth/paper towel to clean all surfaces.
- Keep exhibit components away from heat and prolonged sun exposure.  
**Heat and UV exposure will warp and fade components.**
- Retain all provided Packing Materials. All provided packing materials are for ease of repacking & component protection.

## Disassembly

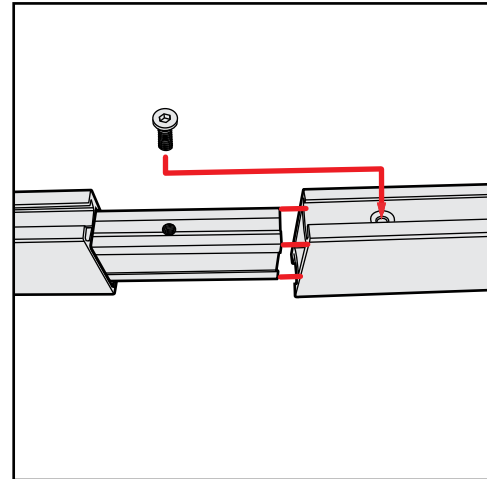
- For loss prevention, tighten all set screws and locks during disassembly.



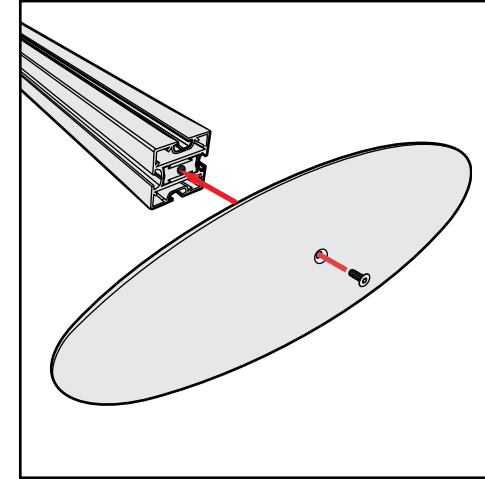
Hex Tool - Essential for Assembly



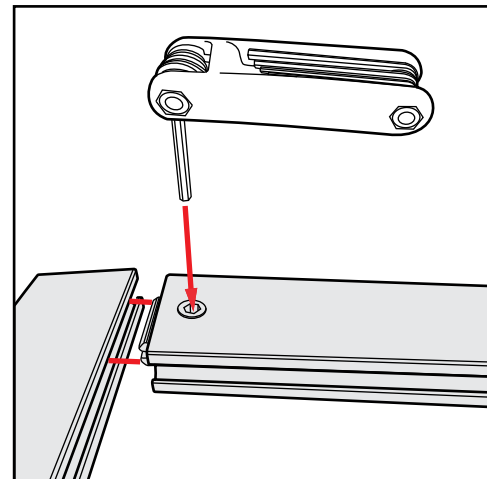
Part Identification - Numbering



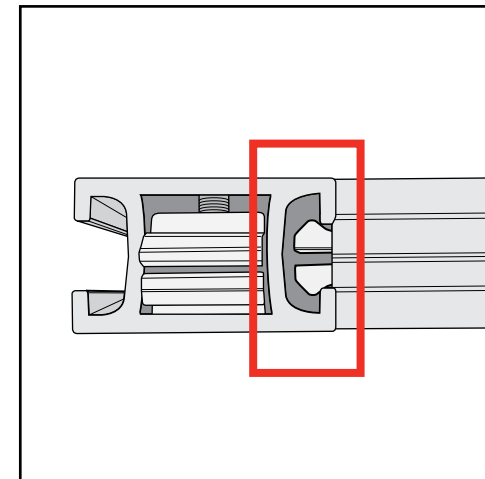
Spline Connection



Base Plate & Extrusion Connection



Extrusion & Lock Connection



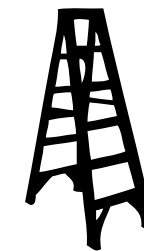
Engaged Lock



**WARNING**



DO NOT USE POWER TOOLS



LADDERS OR LIFTS  
MAY BE REQUIRED

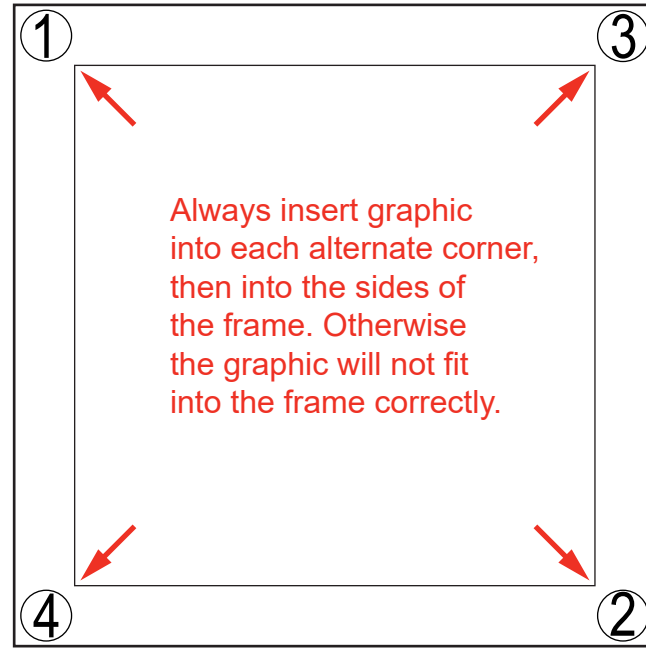


ALL CONNECTIONS MUST  
BE TIGHTLY SECURED

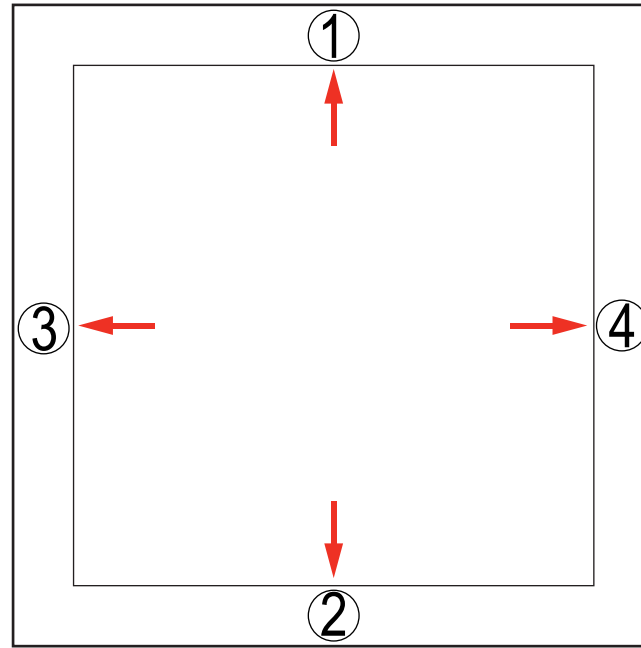
*The Perfect Fit*

# SEG Graphic Installation *in 3 Steps*

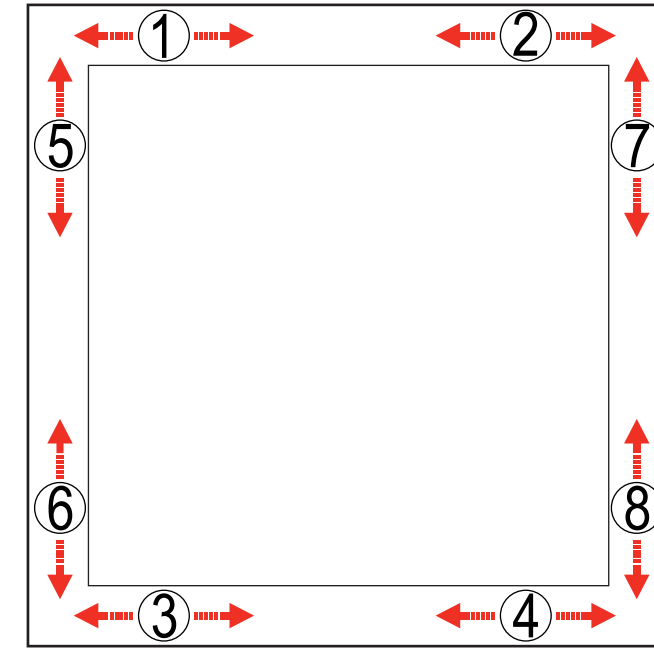
## STEP 1: Attach Corners



## STEP 2: Attach Middle



## STEP 3: Attach Sides



Insert narrow side of silicone welt into the channel at corner 1, with fabric to the outside.

Repeat for opposite corner 2, then corner 3, then corner 4.

Once corners are attached, press the middle of edge 1 into the channel. Then press middle of edge 2 into the channel on opposite side.

Repeat with edge 3 & 4.

Once the middle of sides are attached, fully press the silicone welt into the channel, between center and corner at location 1. Repeat the process between center and corner at location 2.

Do the same for welt on opposite side, at locations 3 & 4. Then repeat for locations 5 & 6 and 7 & 8.

Once the welt is fully inserted on all sides, smooth out edges as needed for a perfect fit.

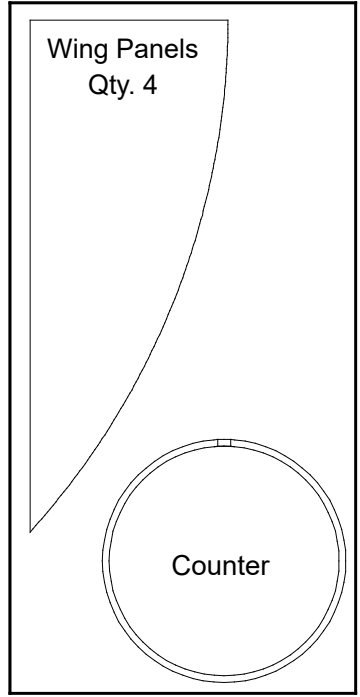


To remove the graphic from the frame, locate the fabric **pull tab**. Gently pull on the tab to remove the graphic.

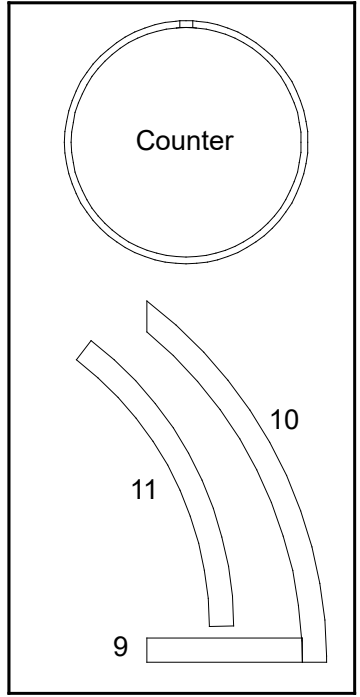
Install video:



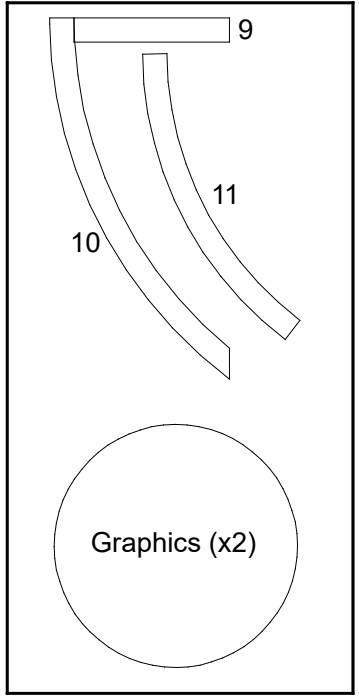
### Top View of Each Level



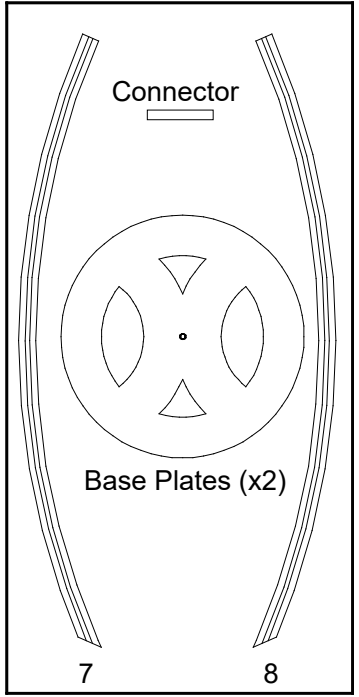
Level 1  
(Bottom level)



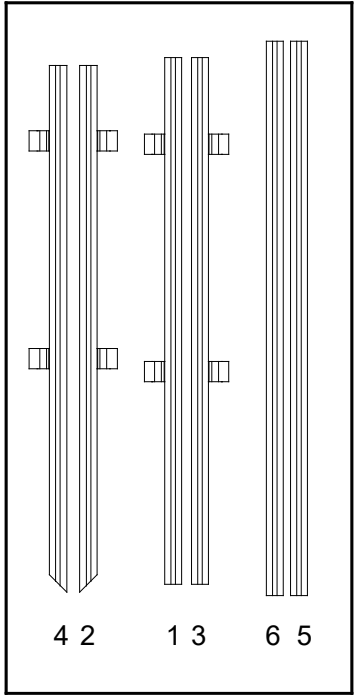
Level 2



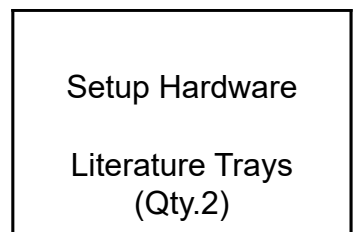
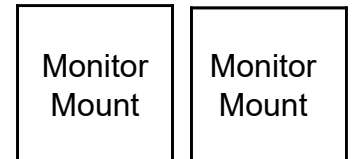
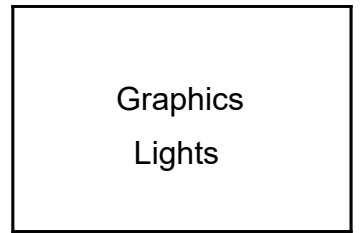
Level 3



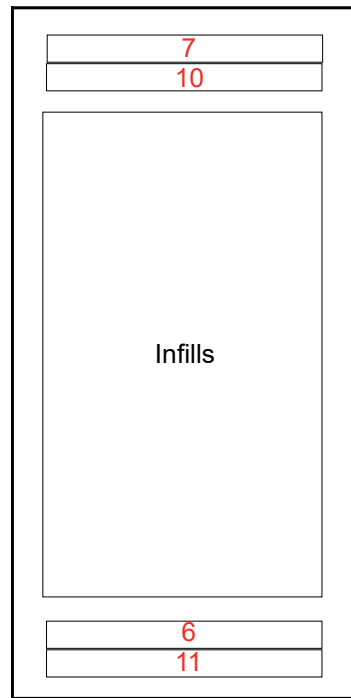
Level 4



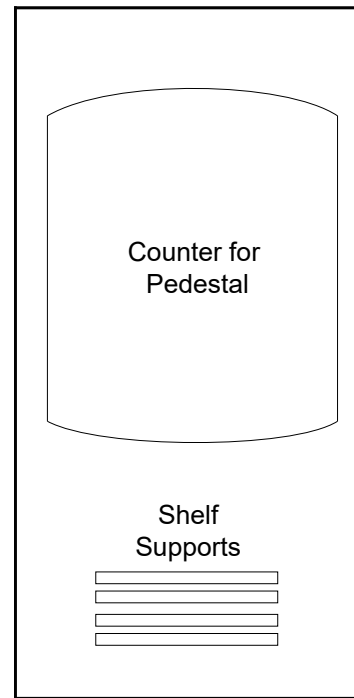
Level 5



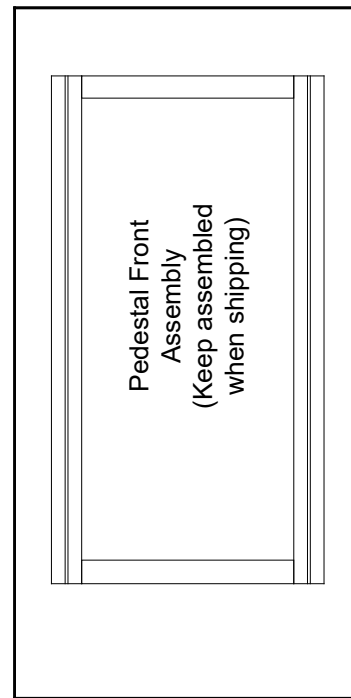
### Top View of Each Level



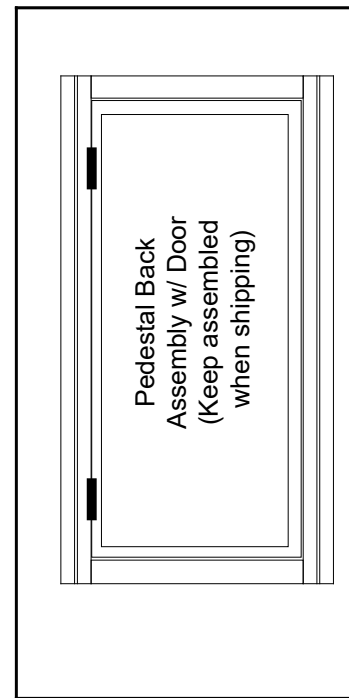
Level 1  
(Bottom level)



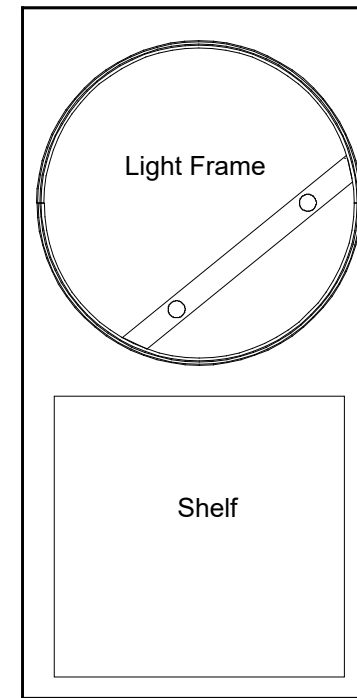
Level 2



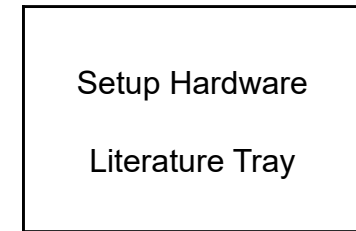
Level 3



Level 4

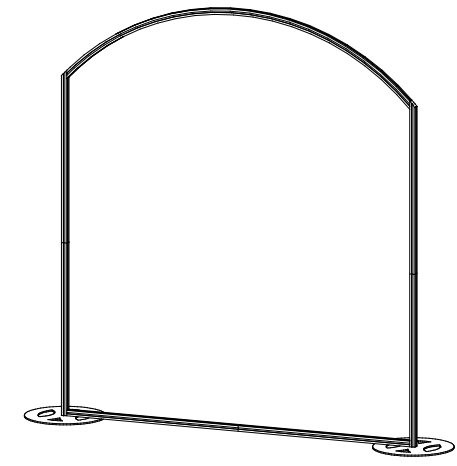


Level 5



Item	Qty.	Description
1	2	17.973" Round Base Plate
2	1	39"h S40 Vertical Extrusion
3	1	39"h S40 Vertical Extrusion w/ angle cut
4	1	39"h S40 Vertical Extrusion
5	1	39"h S40 Vertical Extrusion w/ angle cut
6	1	41"w S40 Horizontal Extrusion
7	1	41"w S40 Horizontal Extrusion
8	1	45.857" S40 Curved Extrusion
9	1	45.857" S40 Curved Extrusion

- Steps:
- 1) Attach Base Plates [1] to bottom of verticals [2] & [4], using bolts.
  - 2) Assemble verticals [2-3] & [4-5] together using Connection Bars [B].  
See **Straight Connection with Knobs** detail.
  - 3) Connect horizontals [6-7] & [8-9] together using Connection Bars [A].  
See **Straight Connection with Knobs** detail.
  - 4) Attach vertical assemblies [2/3], [4/5] to horizontal assemblies [6/7], [8/9].  
See **Corner Connection with Knob** detail and **S40 Connection** detail.
  - 5) Affix Fabric Graphic to back of assembled frame using Velcro.



When assembled

**\* Straight Connection with Knobs**

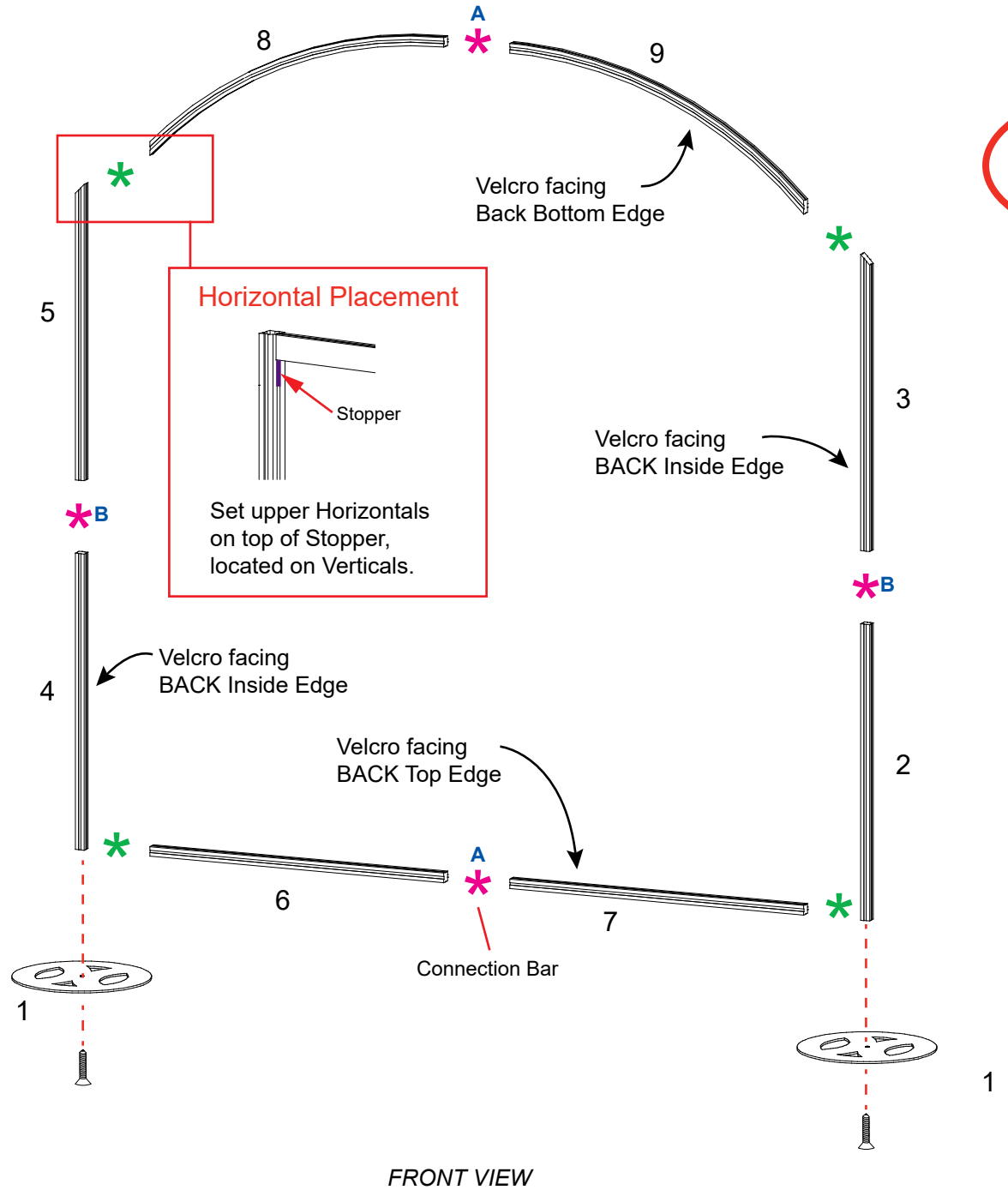
Knob  
Knob

Turn Knobs Clockwise to Tighten Lock.  
Do not over tighten Knobs

**\* S40 Connection**

Horizontal Connector  
Set screws

Insert Connector into open end extrusion; secure with set screws.  
*\*Keep all screws attached to connector pieces when disassembling to prevent loss\**



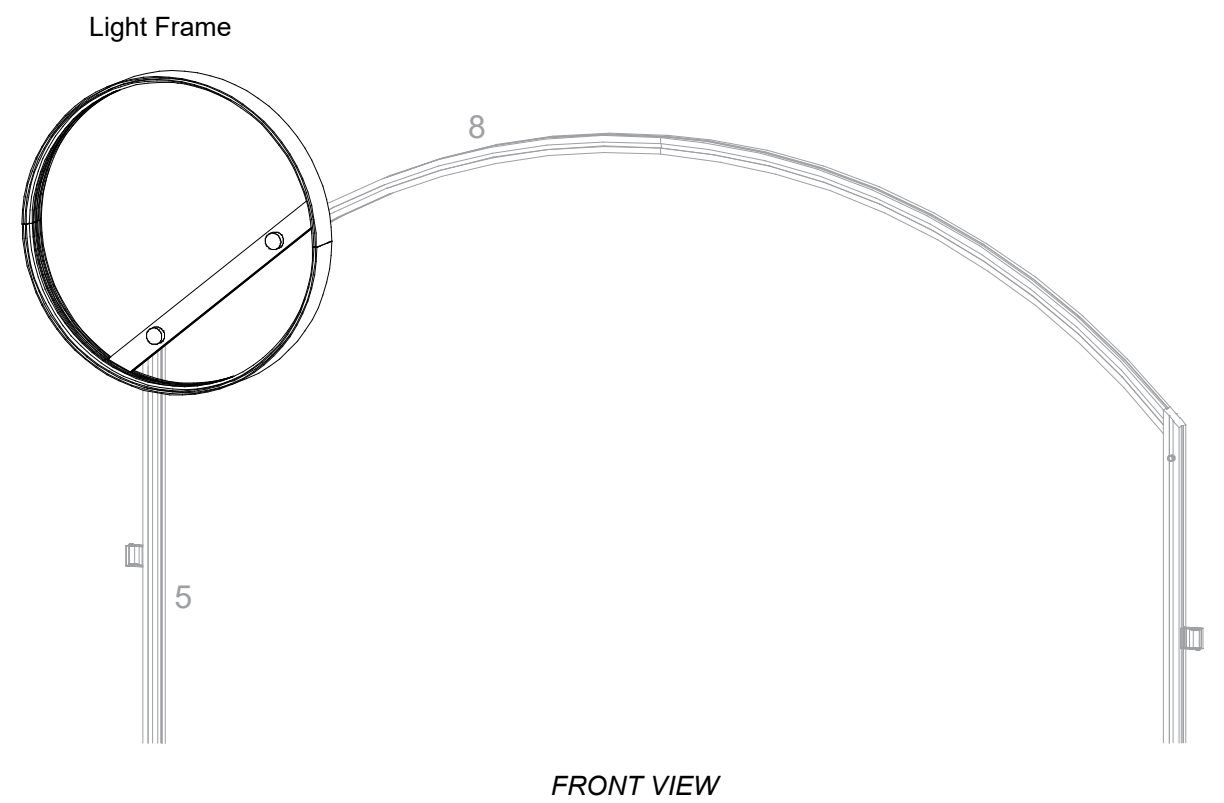
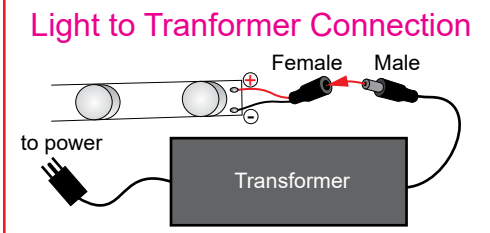
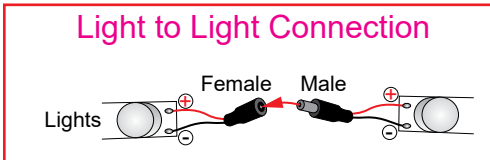
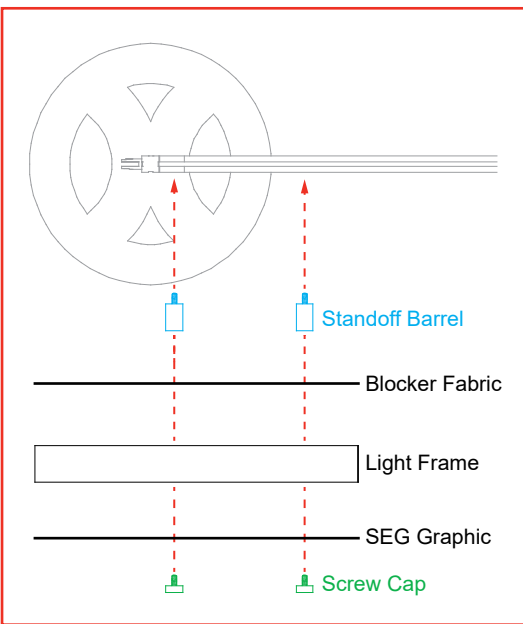
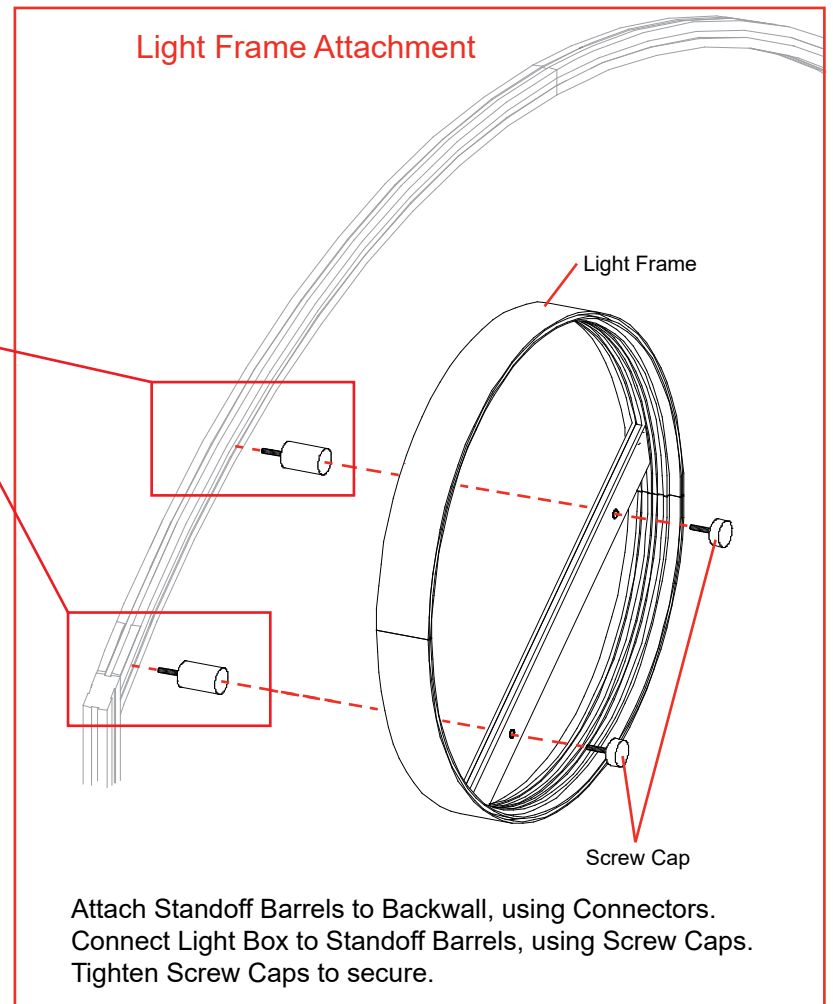
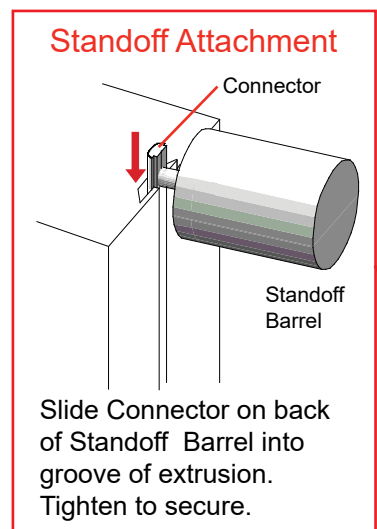
Velcro on extrusions must face to **BACK** of assembled Backwall.

**\* Corner Connection with Knob**

- Steps:
- 1) Apply SEG blocker to back of circular Light Frame. Refer to the SEG Installation general information page.
  - 2) Attach Light Frame to Extrusions [5/8]. See **Light Frame Attachment** detail.
  - 3) Connect power cords, route power cord thru hole in Blocker, then attach to transformer. See **Light to Light Connections** & **Light to Transformer** details.
  - 4) Apply SEG Graphic to front of Light Frame.

### SEG Graphic Installation in 3 Steps The Perfect Fit

Refer to the SEG Installation page.





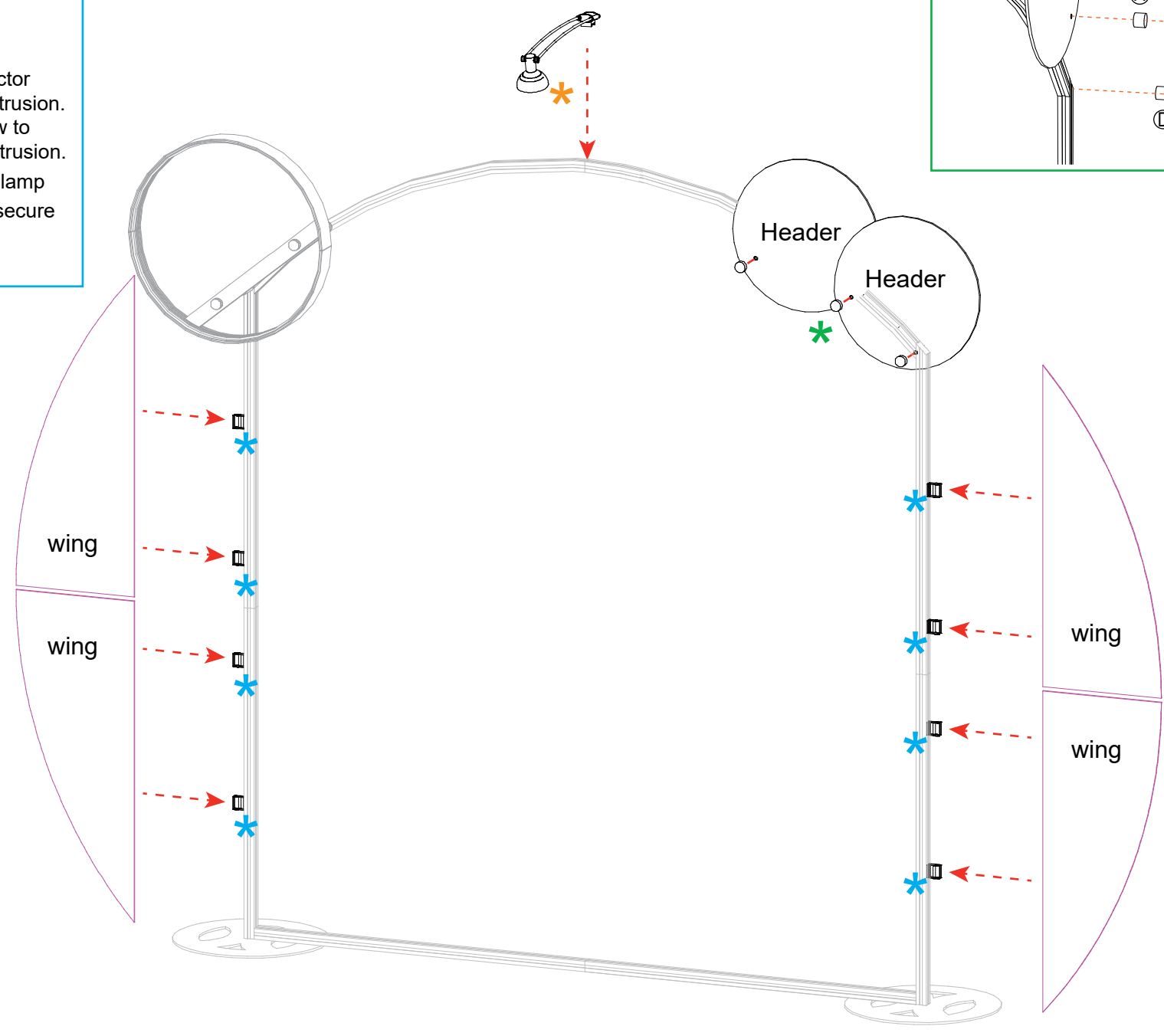
- Steps:
- 1) Attach A10 clamps and wings to extrusions [2/3] and [4/5].  
See [A10 Clamp](#) detail.
  - 2) Connect two round Header graphics to backwall as shown.  
See [Header Attachment](#) detail.
  - 3) Attach light on top of display. See [Light Attachment](#) detail.

**\* A10 Clamp**

- 1) Slide A10 connector into groove of extrusion.
- 2) Tighten set screw to secure A10 to extrusion.
- 3) Insert Infill into Clamp
- 4) Tighten knob to secure wing in place.

**\* Light Attachment**

Attach lights to Horizontal where desired and tighten in place.



**\* Header Attachment**

- 1) Connect Standoff Barrel [A] through *Left Header* to backwall extrusion. Twist barrel to tighten in place.
- 2) Attach V4 connector [B] to backwall extrusion. Tighten set screw to secure V4 in place.
- 3) Connect Cap [C] through *Left Header* to V4 connector.
- 4) Attach Standoff Barrel [D] to backwall extrusion.
- 5) Connect Caps [E] & [F] through *Right Header* to Standoff Barrels [A] & [D].

**Header Hardware**

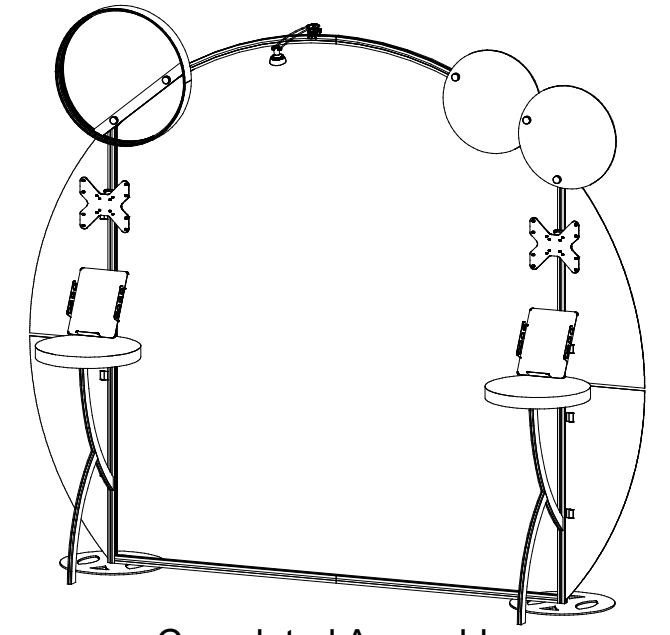
- Cap (E)
- Cap (C)
- Cap (F)
- 1.25" Standoff w/ V20 (D)
- 1" Standoff w/ V20 (A)
- V4 Connector (B)

**Cap to V4 Connector**

**Standoff Barrel w/ V20 Connector**

Item	Qty.	Description
10	2	11.5" Horizontal Extrusion
11	2	26.75" Curved Extrusion
12	2	20.3" Curved Extrusion
13	2	Flange Plate

- Steps:
- 1) Attach extrusions [12] to extrusions [11].
  - 2) Attach extrusions [10] to extrusions [11].
  - 3) Connect [10/11/12] to extrusions [2] and [4].
  - 4) Attach flange plate [13] to extrusion [11], using bolt.
  - 5) Connect counter to flange plate. See **Counter Attachment** detail.
  - 6) Attach monitor mount to extrusions [3] and [5]. See **Monitor Mount** detail.
  - 7) Attach literature holders to extrusions [3] and [5]. See **Literature Holder Attachment** detail.

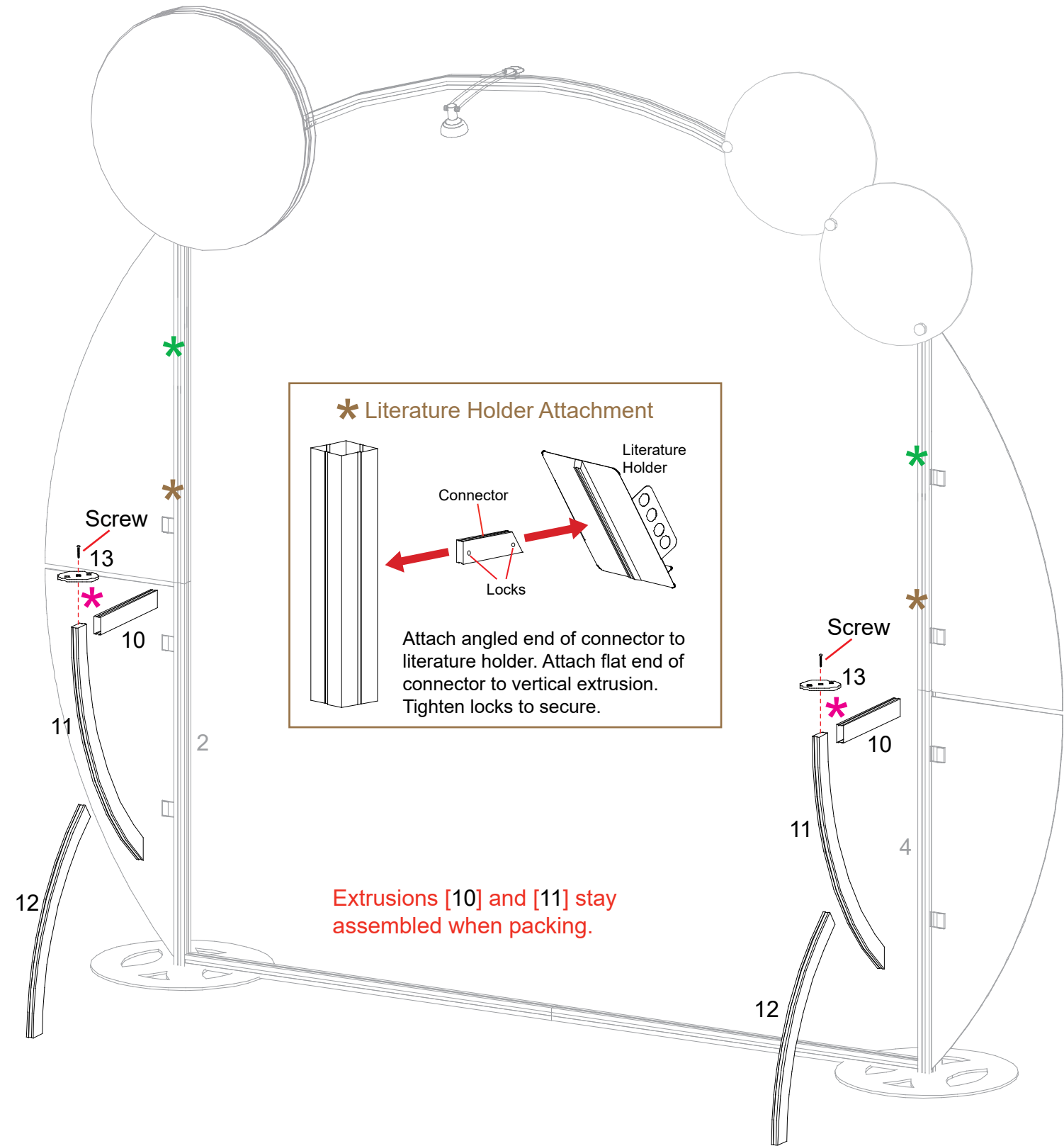


Completed Assembly

**\* Counter Attachment**

Attach flange plate to curved extrusion [10], using screw. Insert fixed screws, located on underside of counter, into holes of flange plate. Secure with wing nuts.

**Keep flange plate [11A] and wing nuts attached to counter when packing.**



**\* Literature Holder Attachment**

Attach angled end of connector to literature holder. Attach flat end of connector to vertical extrusion. Tighten locks to secure.

**\* Monitor Mount Attachment**

Slide V4 Connectors into groove of Extrusion. Tighten Set Screws to secure connectors in place.

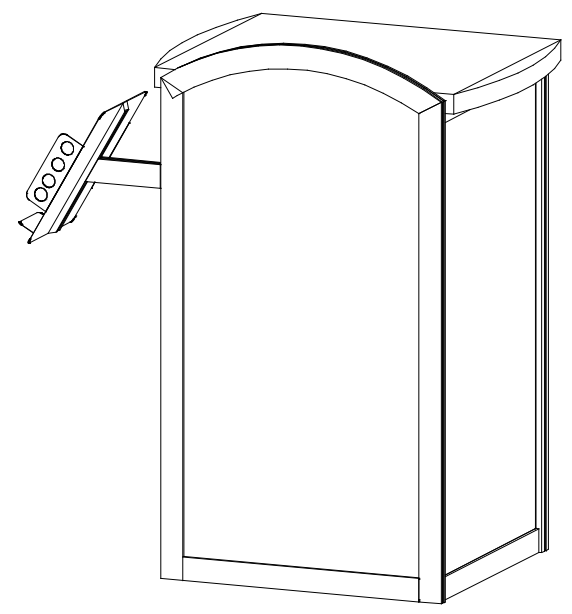
Attach Monitor Mount back piece to Extrusion, using bolts.

Then slide monitor mount into back piece.

Extrusions [10] and [11] stay assembled when packing.

Item	Qty.	Description
1,2	1,1	38" Z45 Vertical Extrusion w/ S10
3,4	1,1	38" S40 Vertical Extrusion
5	1	18.9" Z45 Horizontal Extrusion
6,7	1,1	18" Z45 Horizontal Extrusion
8	1	20" Z45 Horizontal Extrusion
9	1	22.5" Z45 Curved Extrusion
10,11	1,1	18" Z45 Horizontal Extrusion
12	1	20" Z45 Horizontal Extrusion

- Steps:**
- 1) Attach lower horizontals [5] [6] [7] [8] between verticals [1] [2] [3] [4].
  - 2) Connect door to vertical [4]. See **Door Connection** detail.
  - 3) Insert infills between verticals [1] [2], [1] [3], and [2] [4].
  - 4) Attach upper horizontals [9] [10] [11] [12] between verticals [1] [2] [3] [4].
  - 5) Connect shelf supports to Velcro on infills, then place shelf on top of supports.
  - 6) Lock pedestal top to horizontals [10] and [11]. See **Pedestal Top Lock** detail.
  - 7) Attach Literature Holder to Vertical [1]. See **Literature Holder Attachment** detail.



**Completed Pedestal Assembly**

