

General Setup Instructions

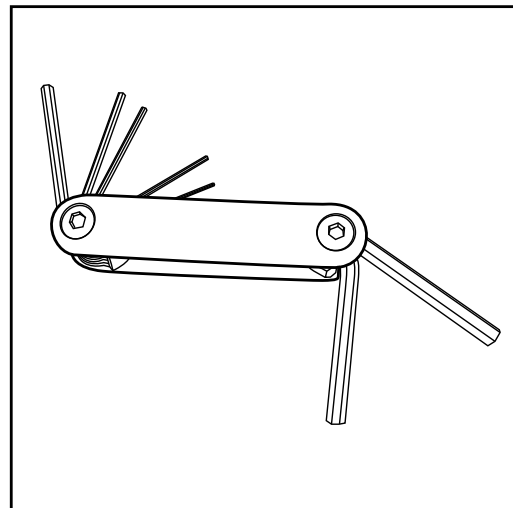
- Read entire setup instruction manual prior to unpacking parts and pieces.
- The setup instructions are created specifically for this configuration.
- Setup instructions are laid out sequentially in steps, including exploded views with detailed explanation for assembly.

Cleaning & Packing

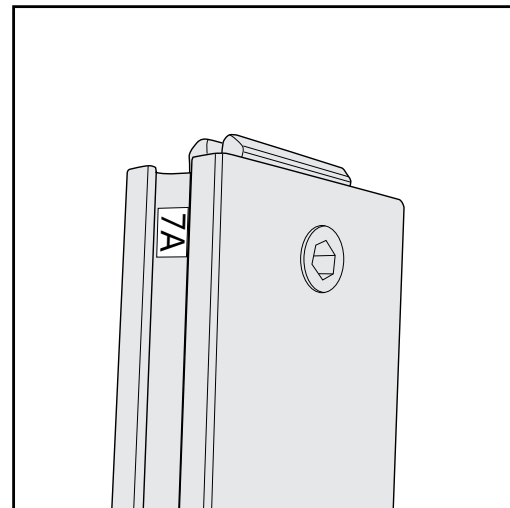
- For Cleaning Metal, Plex, & Laminate Parts: Use a **MILD NON-ABRASIVE** cleanser and soft cloth/paper towel to clean all surfaces.
- Keep exhibit components away from heat and prolonged sun exposure.
Heat and UV exposure will warp and fade components.
- Retain all provided Packing Materials. All provided packing materials are for ease of repacking & component protection.

Disassembly

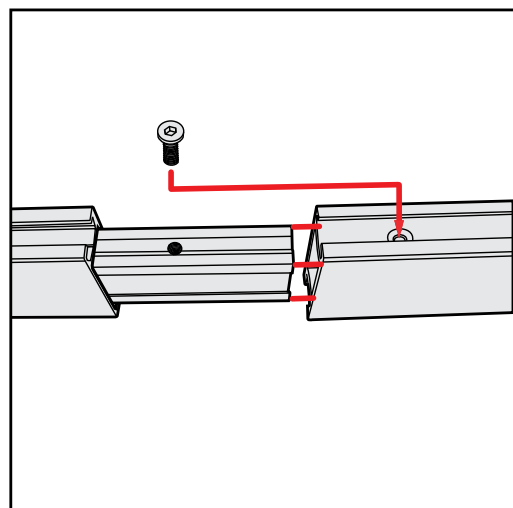
- For loss prevention, tighten all setscrews and locks during disassembly



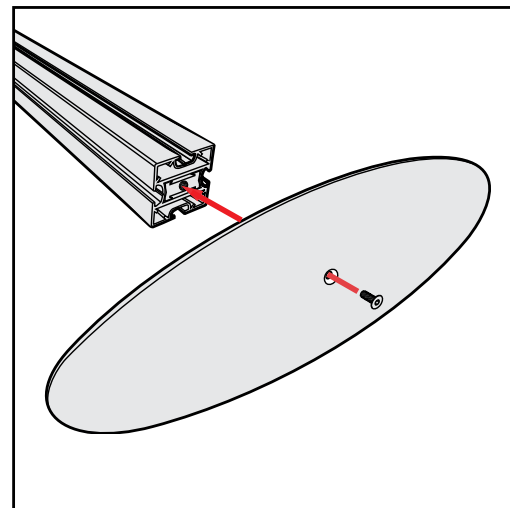
Hex Tool - Essential for Assembly



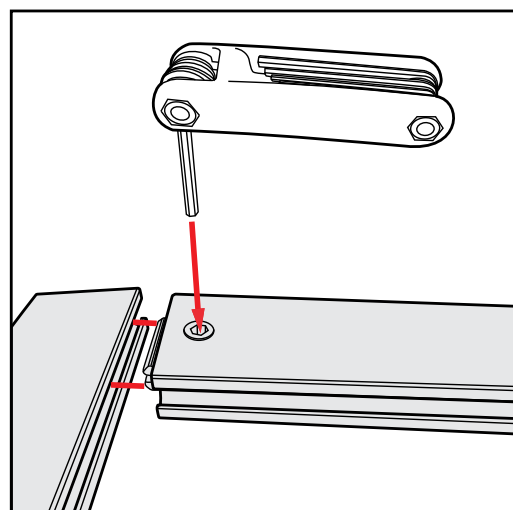
Part Identification - Numbering



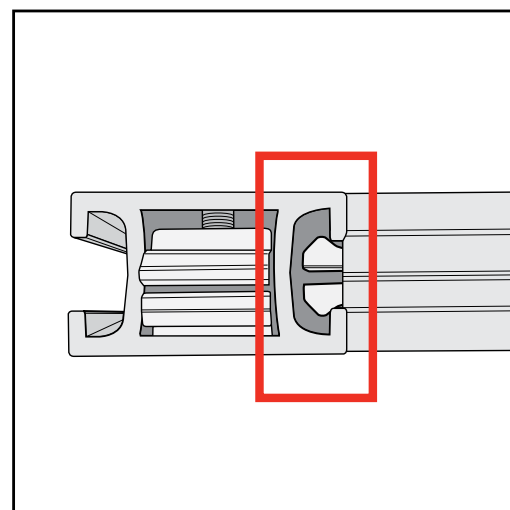
Spline Connection



Base Plate & Extrusion Connection



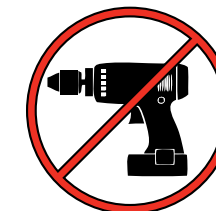
Extrusion & Lock Connection



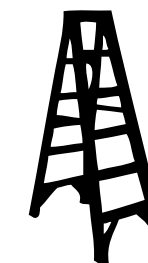
Engaged Lock



WARNING



DO NOT USE POWER TOOLS

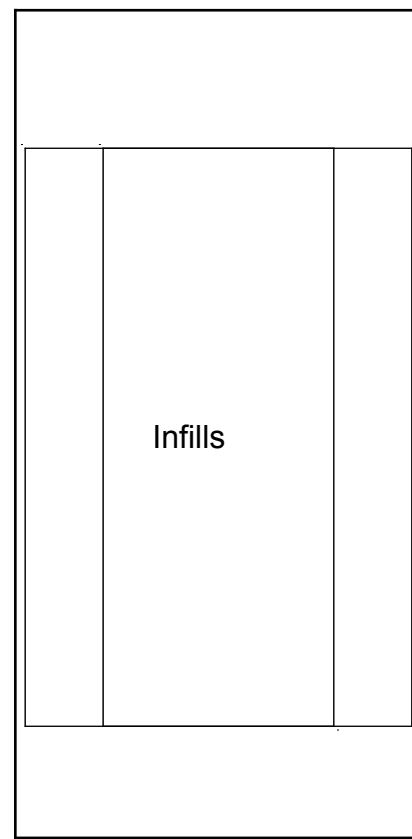


LADDERS OR LIFTS
MAY BE REQUIRED

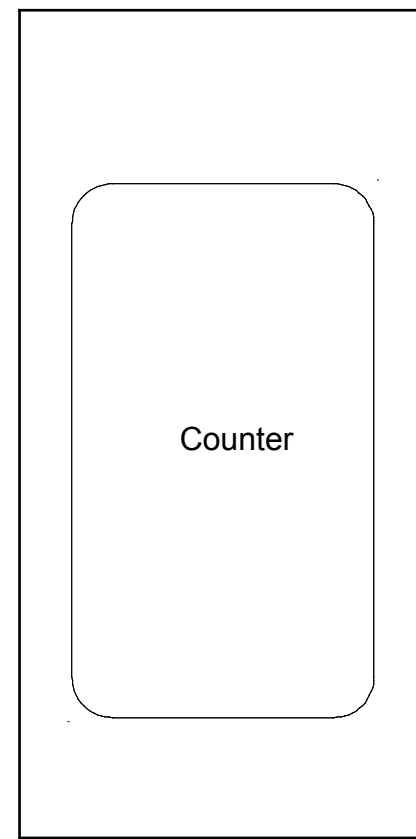


ALL CONNECTIONS MUST
BE TIGHTLY SECURED

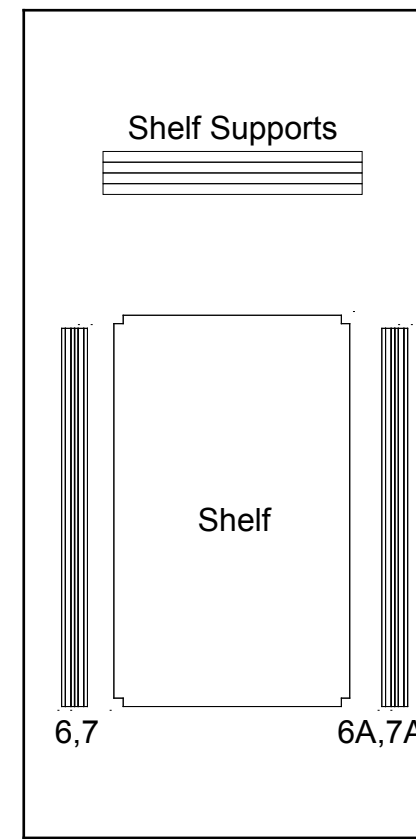
Top View of Each Level



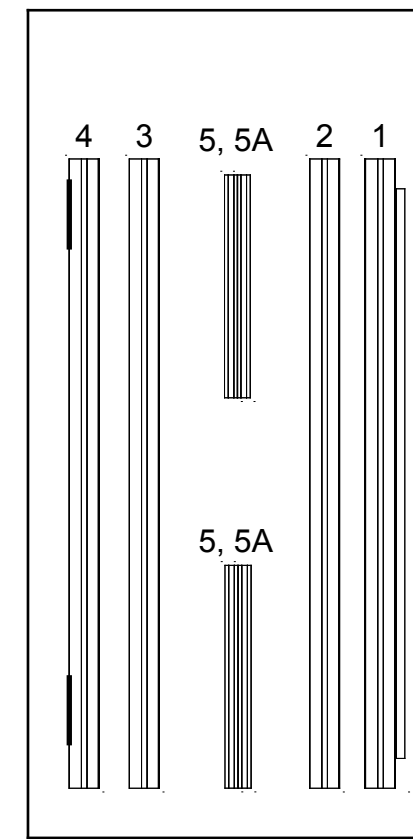
Level 1



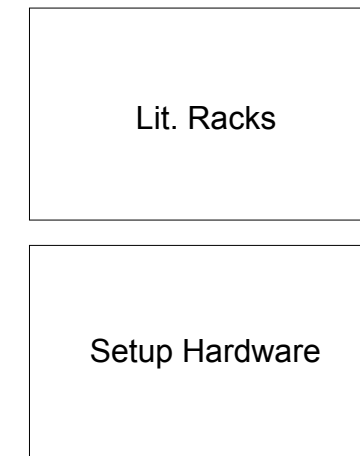
Level 2



Level 3



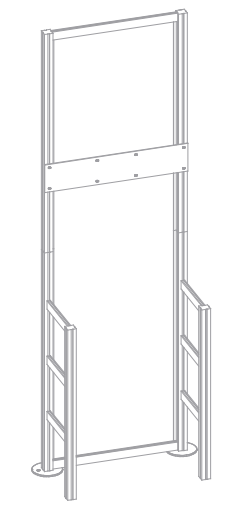
Level 4



Level 5

Item	Qty.	Description
1/1A	1/1	Base Plate
2/2A	1/1	47.5"h Vertical Extrusion
3/3A	1/1	47.5"h Vertical Extrusion
4/4A	1/1	26"w Horizontal Extrusion
5	2	37"h Vertical Extrusion
6	4	12"w Horizontal Extrusion
7	2	12"w Horizontal Extrusion

- Steps:
- 1) Attach base plates [1] & [1A] to lower verticals [2] & [3].
 - 2) Attach upper verticals [2A] & [3A] to lower verticals [2] & [3].
 - 3) Connect lower and upper horizontals [4] & [4A] between verticals.
 - 4) Attach Graphics to the back side of the backwall.
 - 5) Connect horizontals [6] & [7] between verticals [5] and backwall.
 - 6) Attach horizontal [8] to front of upper verticals [2A] & [3A].



When assembled

*** Canopy Attachment to Base Plate**

- 1) Screw Aero Mount to base plate.
- 2) Slide Aero Frame over mount.

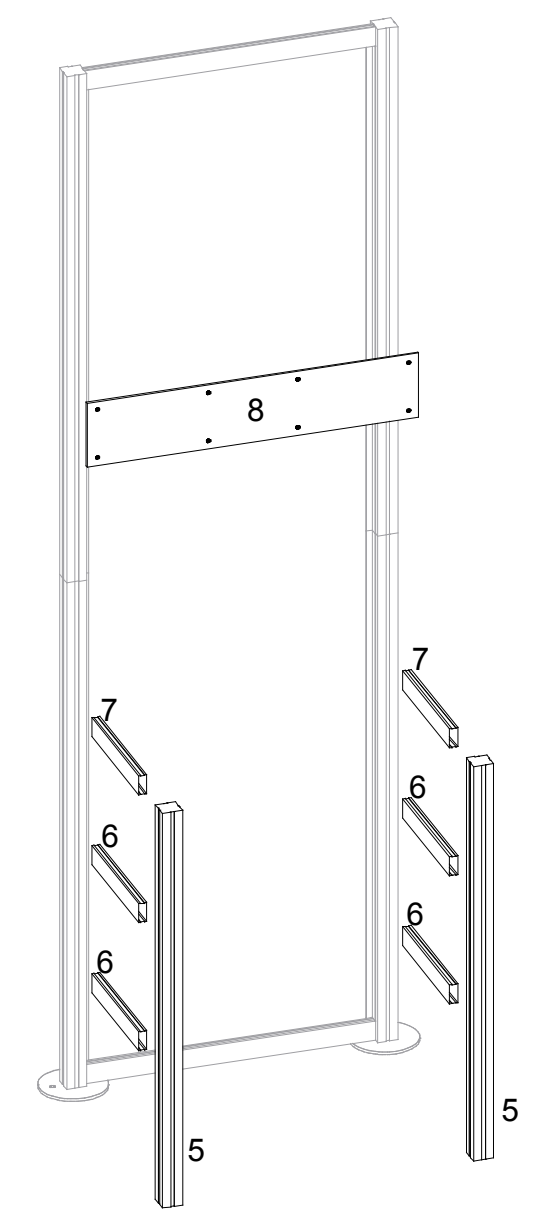
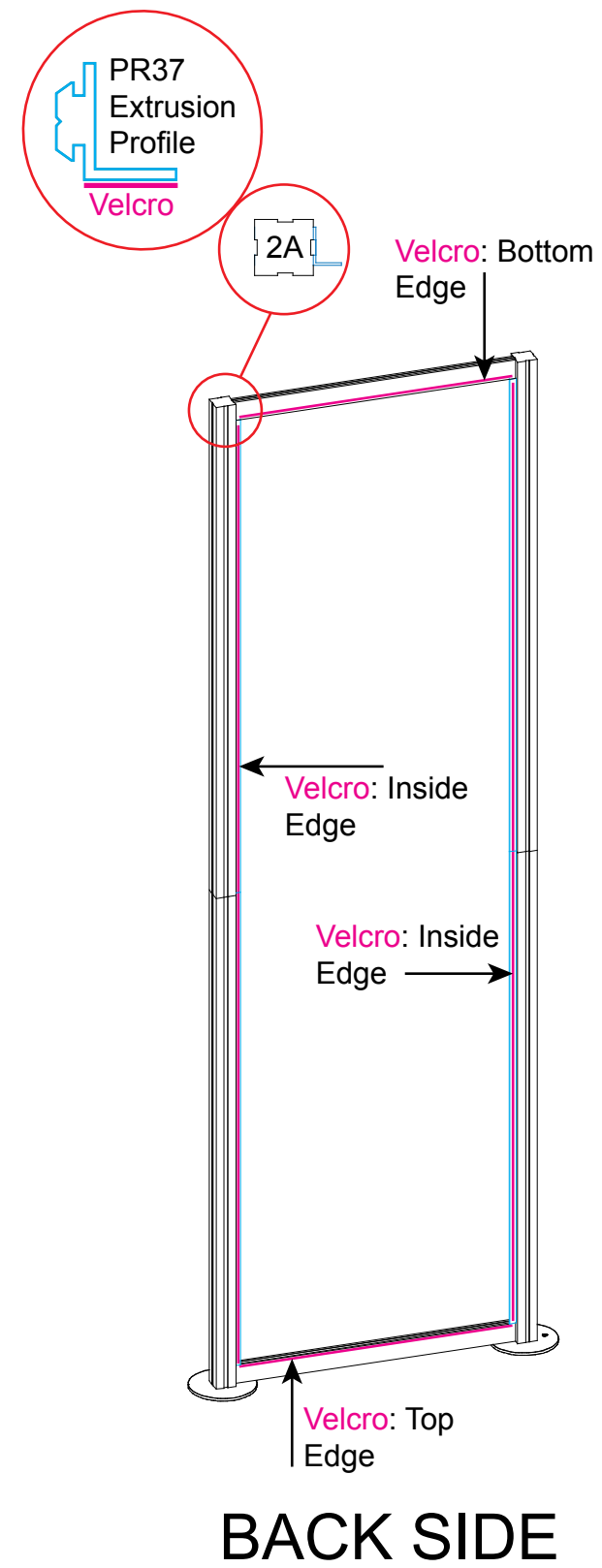
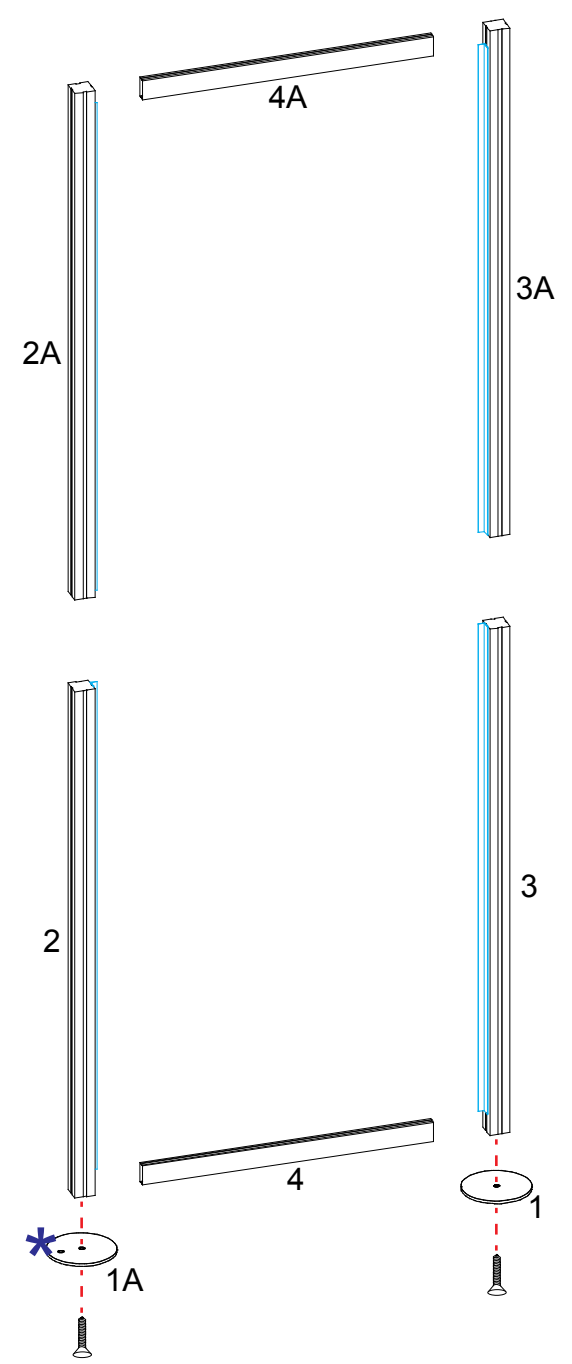
*** Monitor Mount Plate Attachment**

Attach mounting plate to verticals as shown.

S44 Connector

Slide extrusion over connector and rest on lower vertical; secure with screws.

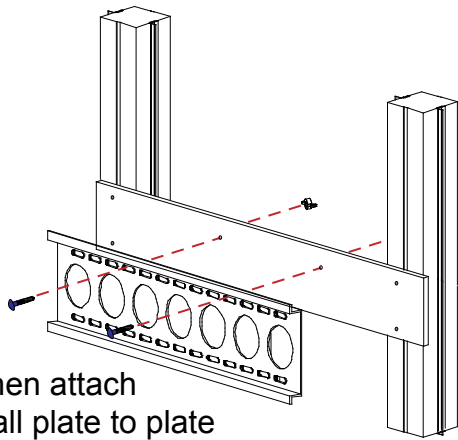
***To prevent product loss, Keep all screws attached to connector piece after disassembling*



Steps:

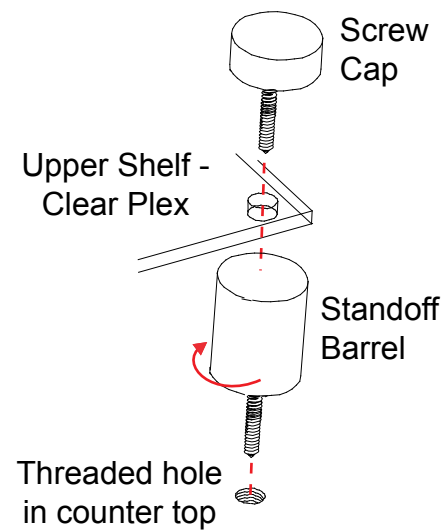
- 1) Place shelves on lower horizontals.
- 2) Connect counter to front verticals and upper horizontals.
- 3) Attach monitor mount to monitor mount plate as shown.
- 4) Attach header to upper verticals where indicated.

*** Monitor Mount Attachment**

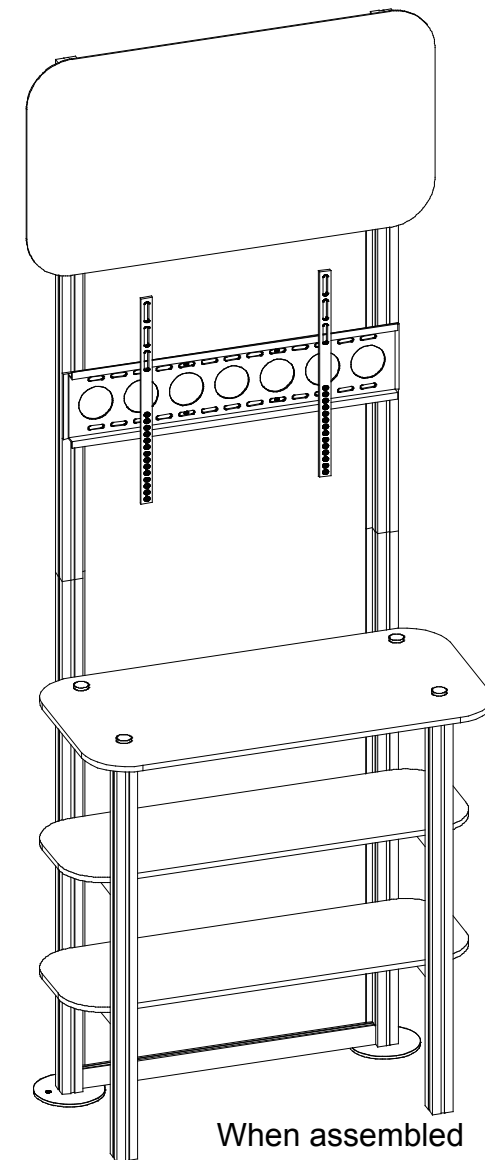
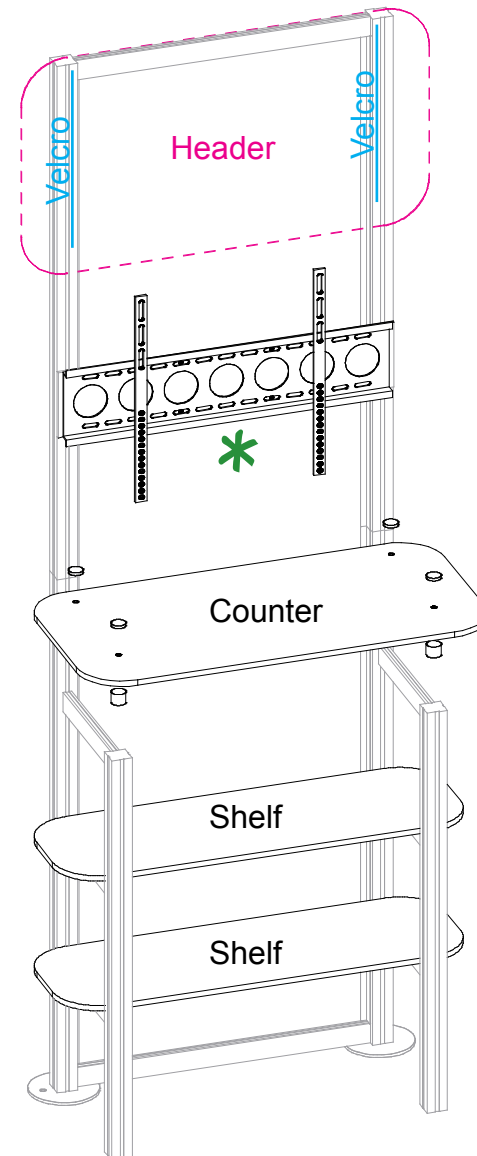


Then attach wall plate to plate using bolts and wing nuts

Upper Shelf to Counter Attachment



Attach standoff barrels to counter and secure in place. Secure upper shelf to standoffs using screw caps.



AERO

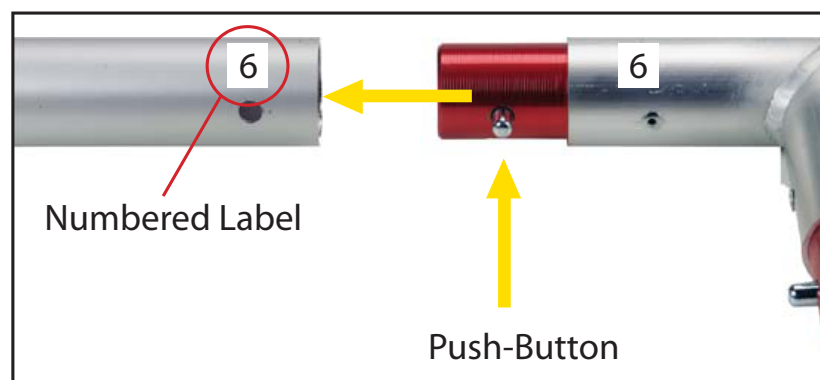
Using Your Setup Instructions

The Aero Overhead Sign Setup Instructions are created specifically for your configuration. They include an exploded view of the frame which is sequentially numbered. We encourage you to study the instructions before attempting to assemble your exhibit.

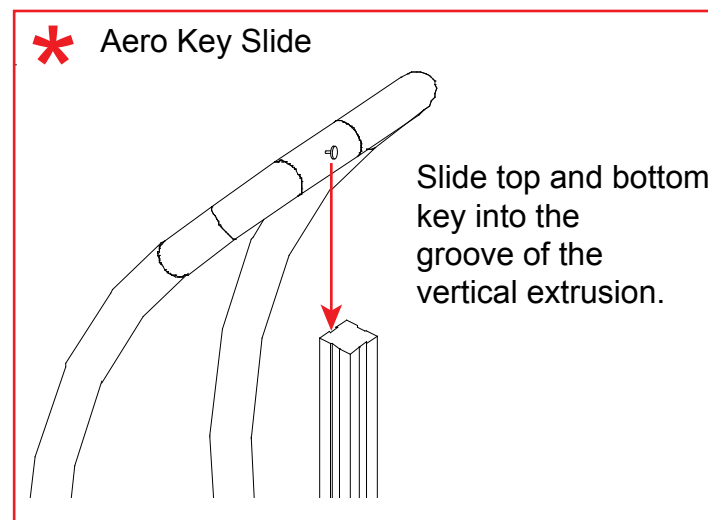
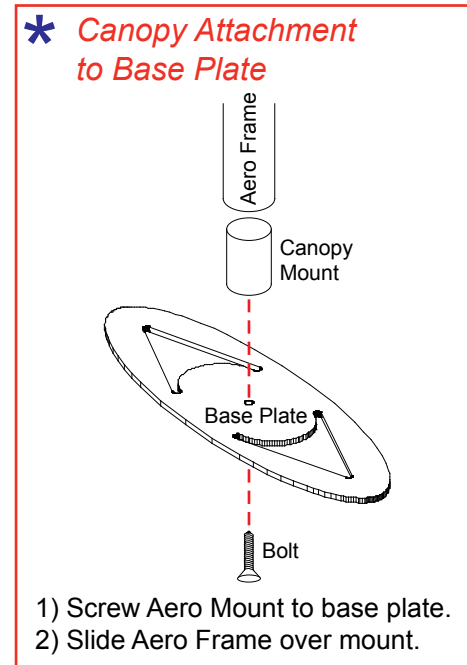
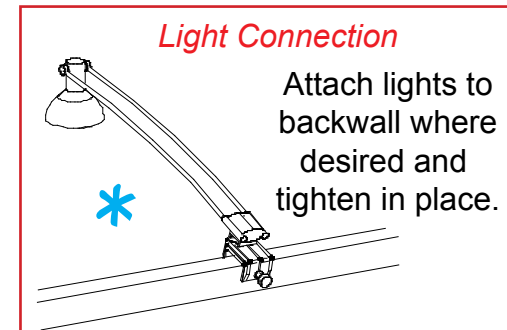
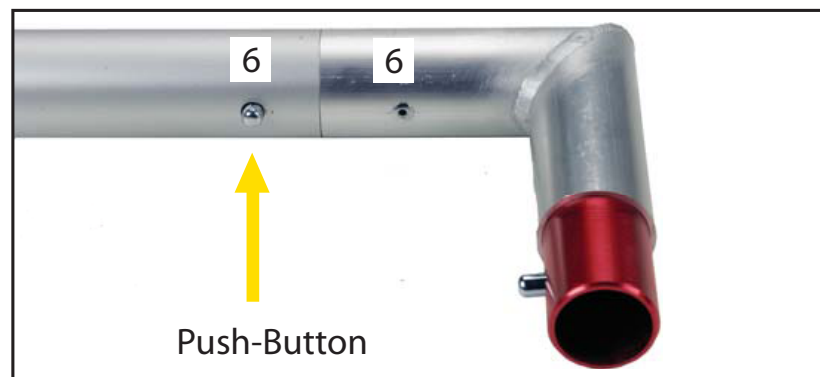
Connections are kept very simple: no tools. Everything assembles with push-button connectors and pre-connected horizontal sections.

Cleaning and Packing Your Display

- 1) Use care when cleaning aluminum extrusion or acrylic inserts. Use only non-abrasive cleaners.
- 2) Retain all packing material. It will make re-packing much easier and will reduce the likelihood of shipping damage.



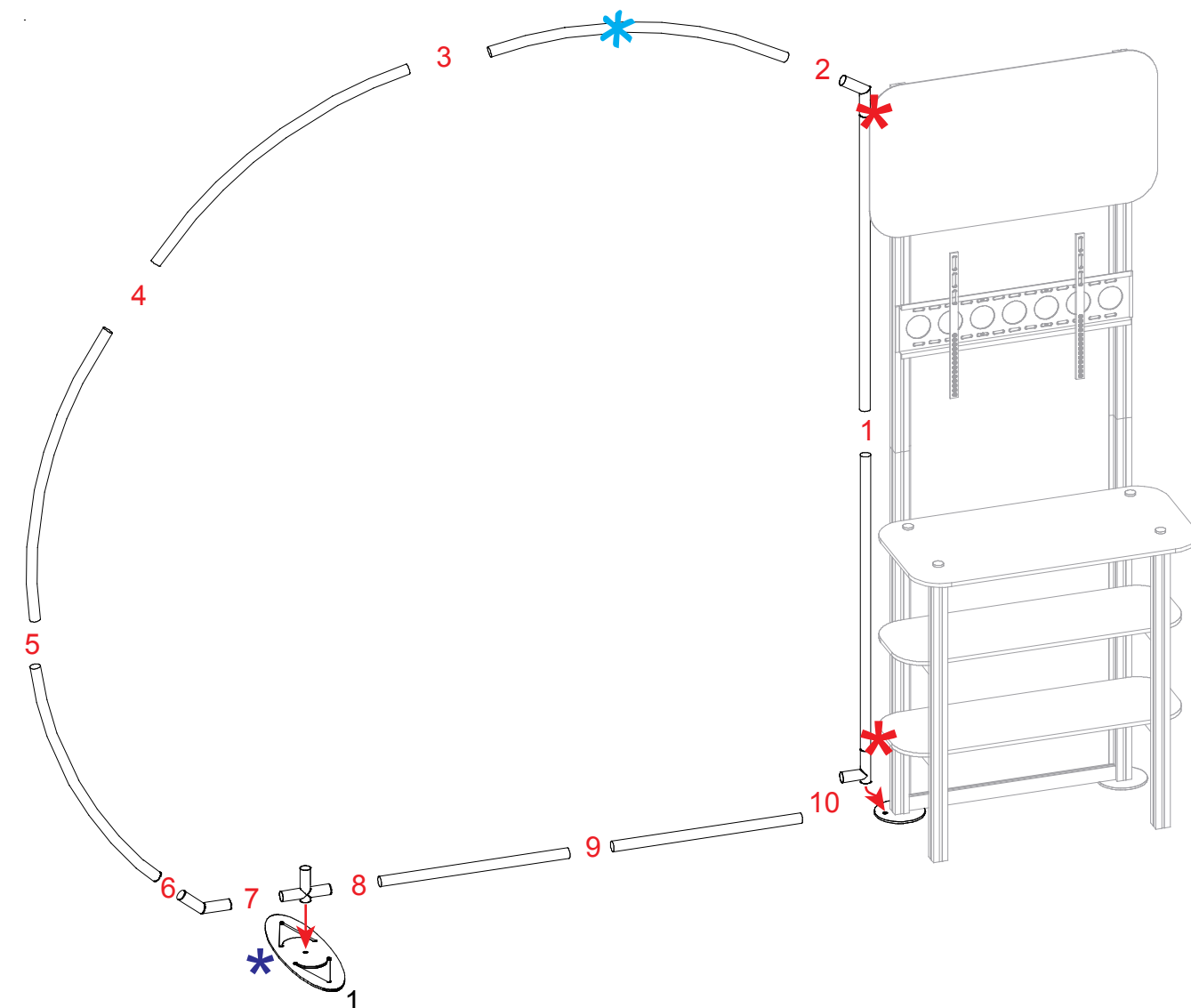
Connections are made by holding the button down and sliding the red tube into opposing tube until the connection is made. To disassemble push button and pull or twist extrusions apart.



Item	Qty.	Description
1	1	Base Plate

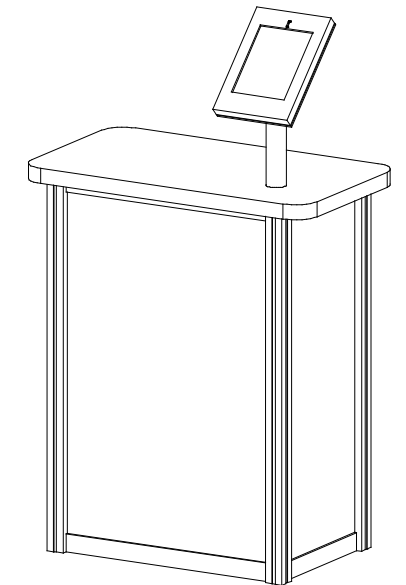
Steps:

- 1) Assemble aero frame in numerical order as shown.
- 2) Attach Graphic to aero frame.
- 3) Attach aero frame to base plate as shown in detail.
Note: aero key slide used for vertical aero.
- 4) Attach Light to top of aero frame.



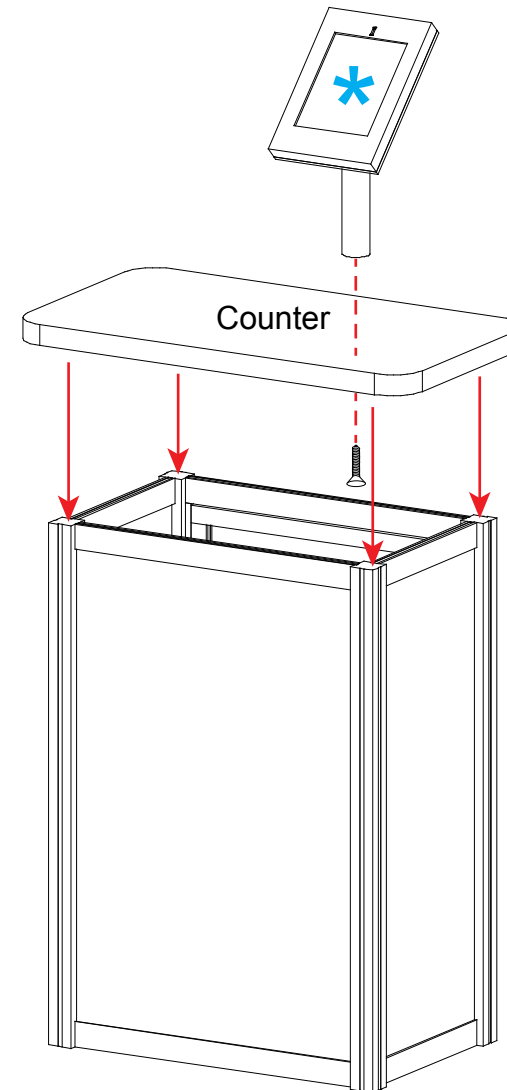
Item	Qty.	Description
1	1	37.5"h Vertical Extrusion
2	1	37.5"h Vertical Extrusion
3	1	37.5"h Vertical Extrusion
4	1	37.5"h Vertical Extrusion
5/5A	2/2	13.25"w Horizontal Extrusion
6/6A	1/1	22.5"w Horizontal Extrusion
7/7A	1/1	22.5"w Horizontal Extrusion

- Steps:
- 1) Connect lower horizontals [5], [6] & [7] between verticals [1-4].
 - 2) Place infill between infills between verticals [1-4].
 - 3) Attach door using *Door Attachment* detail.
 - 4) Place shelf on shelf supports.
 - 5) Attach upper horizontals [5A], [6A] & [7A] between verticals [1-4].
 - 6) Attach iPad clam shell to counter using bolt under counter.
 - 7) Place counter and iPad clam shell to lower assembly as shown.

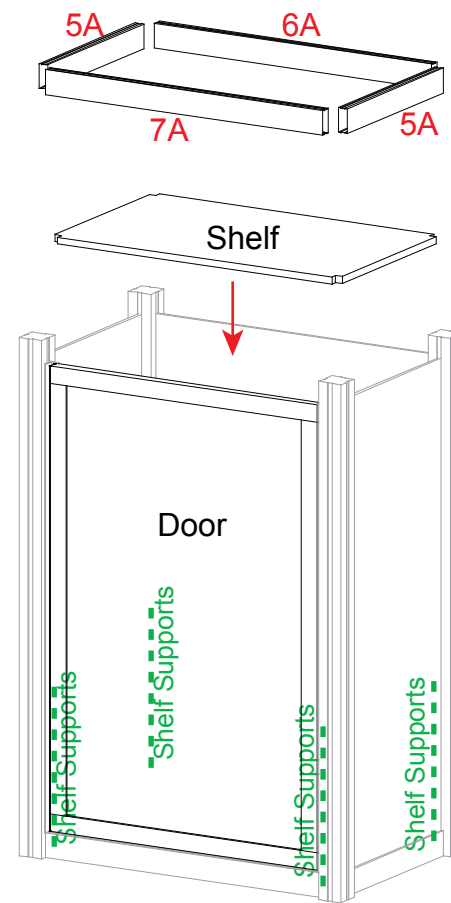


When assembled

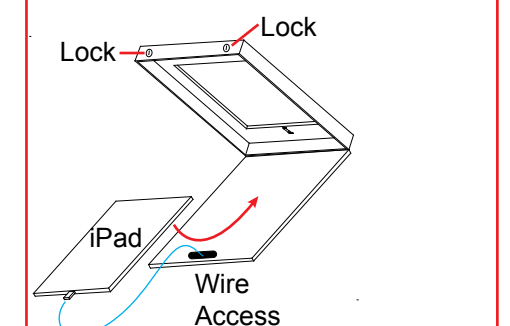
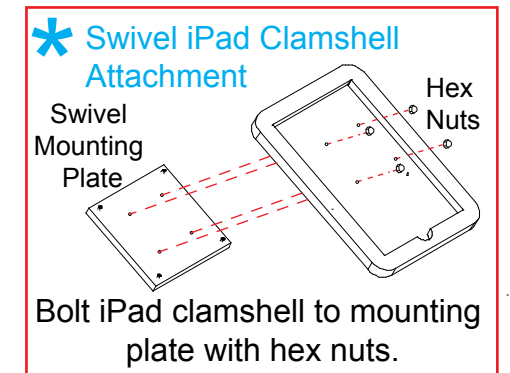
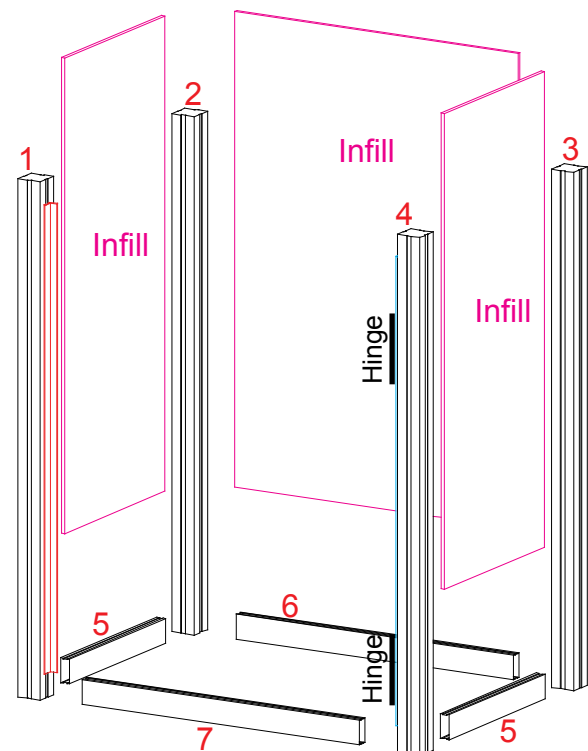
FRONT SIDE



BACK SIDE



BACK SIDE



Door Attachment

Slide pin into hinge attached to vertical. Slide door hinge over pin.

