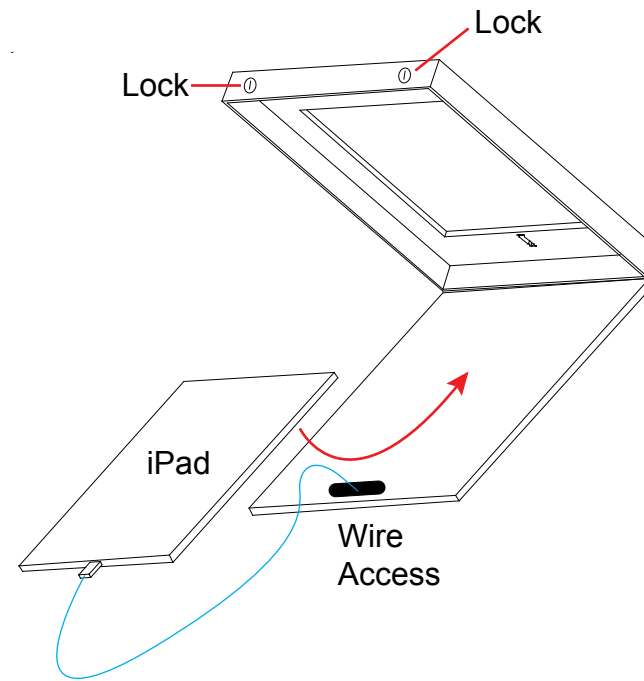
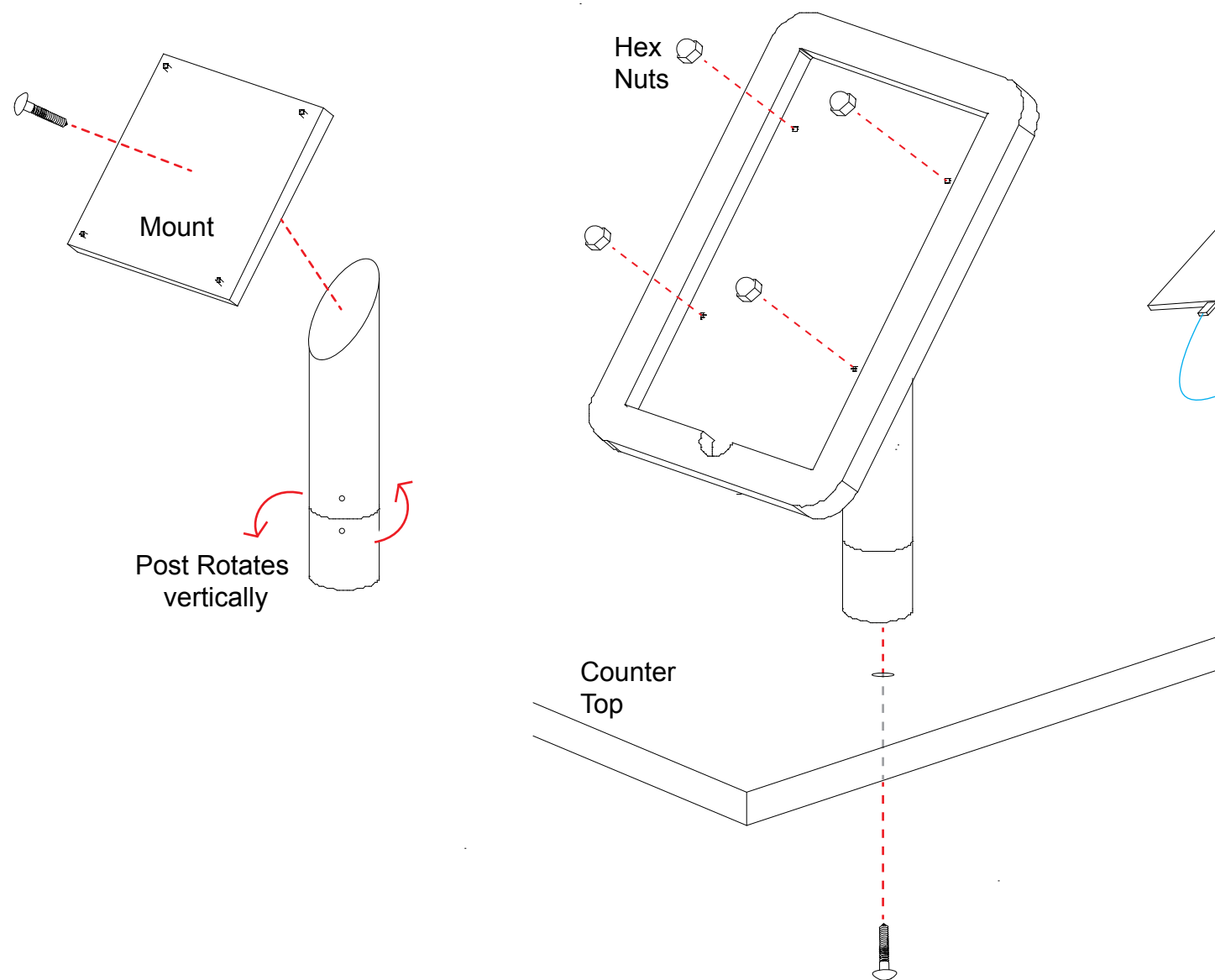
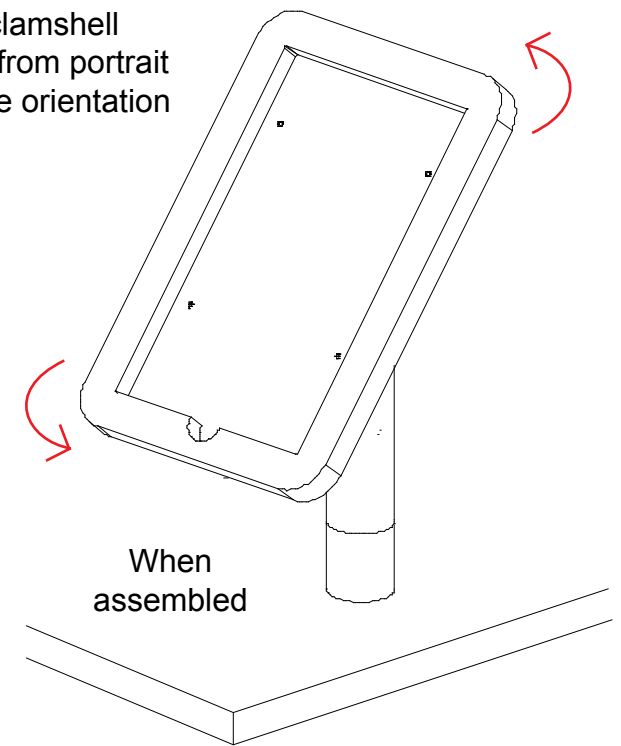


Steps:

- 1) Attach base [1] to post using bolt.
- 2) Attach square plates [4] to curved vertical using bolts.
NOTE: Square plate [4] must rotate to left and right before installing clamshell.
- 3) Attach clamshells [5] to square plates [4] using hex nuts.
- 4) Insert iPad and feed wire through holes as shown in detail.



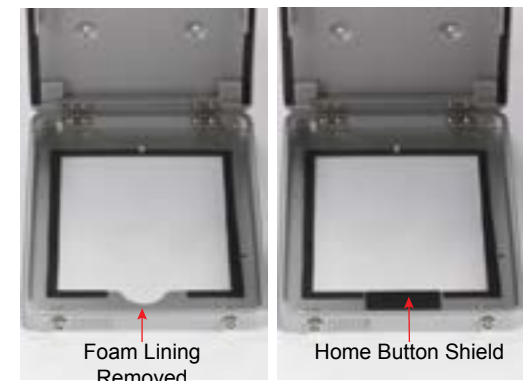
Rotate clamshell to turn iPad from portrait to landscape orientation



Clamshell Attachment



Optional Cover for Home Button



- 1) Remove foam lining from inside bottom of clamshell as shown.
 - 2) Attach Home Button Shield with double-sided tape to inside of clamshell, keeping top of shield flush with clamshell opening as shown.
- NOTE: This is a permanent fix and can't be easily removed.**

General Setup Instructions

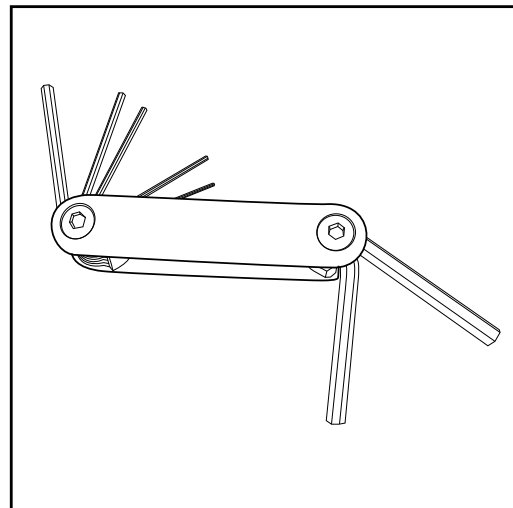
- Read entire setup instruction manual prior to unpacking parts and pieces.
- The setup instructions are created specifically for this configuration.
- Setup instructions are laid out sequentially in steps, including exploded views with detailed explanation for assembly.

Cleaning & Packing

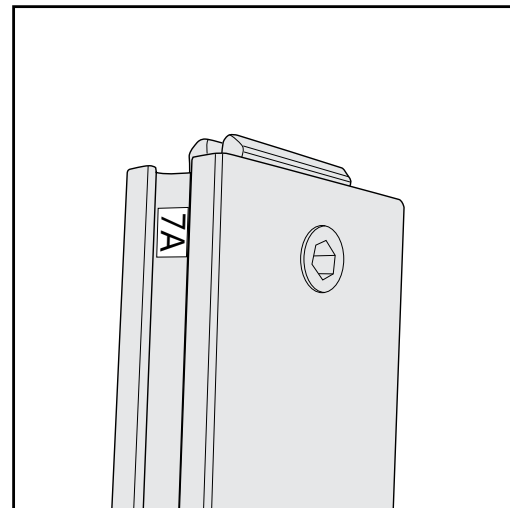
- For Cleaning Metal, Plex, & Laminate Parts: Use a **MILD NON-ABRASIVE** cleanser and soft cloth/paper towel to clean all surfaces.
- Keep exhibit components away from heat and prolonged sun exposure.
Heat and UV exposure will warp and fade components.
- Retain all provided Packing Materials. All provided packing materials are for ease of repacking & component protection.

Disassembly

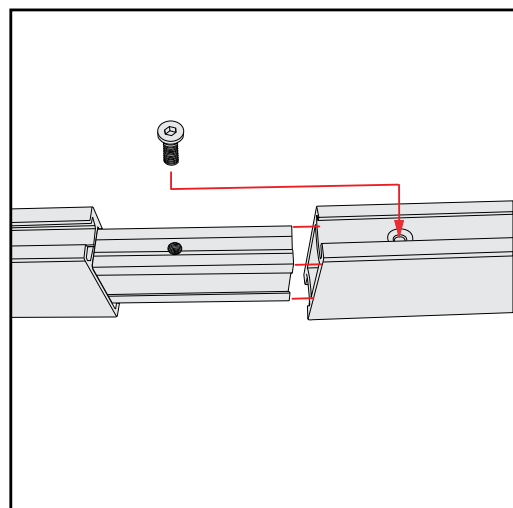
- For loss prevention, tighten all setscrews and locks during disassembly



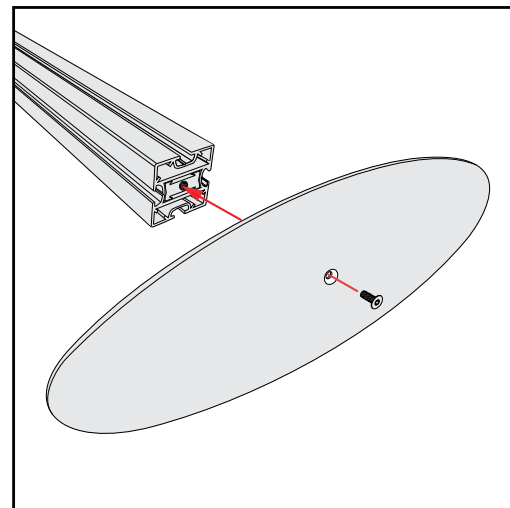
Hex Tool - Essential for Assembly



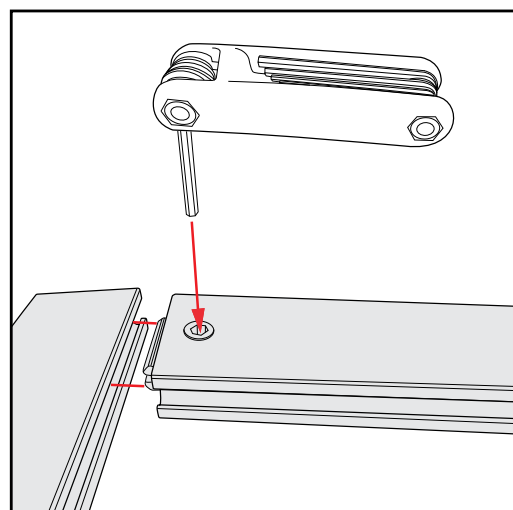
Part Identification - Numbering



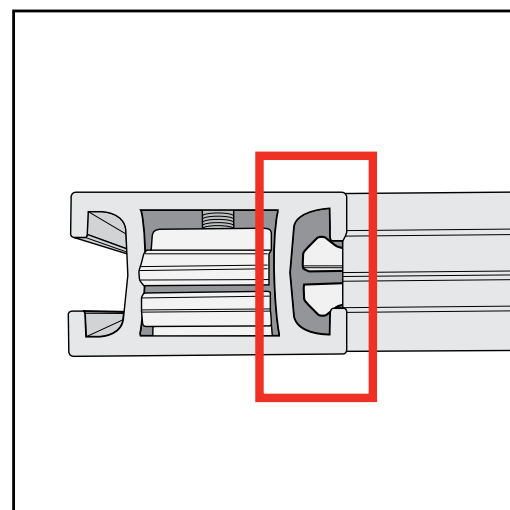
Spline Connection



Base Plate & Extrusion Connection



Extrusion & Lock Connection



Engaged Lock



WARNING



DO NOT USE POWER TOOLS



LADDERS OR LIFTS
MAY BE REQUIRED



ALL CONNECTIONS MUST
BE TIGHTLY SECURED